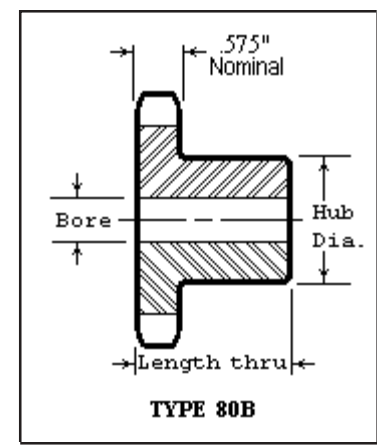
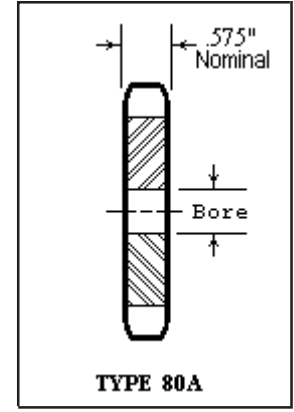




RYLE Manufacturing Company 1-800-433-0960

No. 80 1" Pitch

| RYLE P/N | LIST PRICE | NO. TEETH | O.D. TEETH | STOCK BORE | MAX BORE | HUB DIA. | LTB | LBS. | RYLE P/N | LIST PRICE | LBS. |
|----------|------------|-----------|------------|------------|----------|-----------|-------|-------|----------|------------|-------|
| 80B8 | 48.60 | 8 | 3.01 | 1 | 1 | 1-7/8 * | 1-5/8 | 1.4 | 80A8 | 37.20 | 1.0 |
| 80B9 | 48.60 | 9 | 3.35 | 1 | 1-5/16 | 2-1/4 * | | 1.6 | 80A9 | 37.20 | 1.2 |
| 80B10 | 53.00 | 10 | 3.68 | 1 | 1-1/2 | 2-9/16 * | | 1.7 | 80A10 | 38.00 | 1.6 |
| 80B11 | 58.40 | 11 | 4.01 | 1 | 1-5/8 | 2-13/16 * | | 2.3 | 80A11 | 39.60 | 1.8 |
| 80B12 | 62.80 | 12 | 4.33 | 1 | 1-7/8 | 3-1/8 * | | 3.0 | 80A12 | 41.00 | 2.0 |
| 80B13 | 67.60 | 13 | 4.66 | 1 | 2 | 3 | 1-1/2 | 3.5 | 80A13 | 44.40 | 2.3 |
| 80B14 | 71.80 | 14 | 4.98 | 1 | 2-1/4 | 3-1/4 | | 4.1 | 80A14 | 45.40 | 2.7 |
| 80B15 | 76.20 | 15 | 5.30 | 1 | 2-1/2 | 3-13/16 | | 5.2 | 80A15 | 47.20 | 3.0 |
| 80B16 | 85.80 | 16 | 5.63 | 1 | 2-3/4 | 4 | | 6.1 | 80A16 | 50.40 | 3.4 |
| 80B17 | 96.80 | 17 | 5.95 | 1 | | | | 7.0 | 80A17 | 53.00 | 4.0 |
| 80B18 | 109.00 | 18 | 6.27 | 1 | 3 | 4-1/4 | | 7.5 | 80A18 | 56.00 | 4.4 |
| 80B19 | 125.40 | 19 | 6.59 | 1 | | | | 8.0 | 80A19 | 58.80 | 4.7 |
| 80B20 | 134.00 | 20 | 6.91 | 1 | | | | 8.0 | 80A20 | 61.80 | 5.4 |
| 80B21 | 145.20 | 21 | 7.21 | 1 | | | 1-3/4 | 11.2 | 80A21 | 65.60 | 5.8 |
| 80B22 | 150.00 | 22 | 7.56 | 1 | | | | 11.8 | 80A22 | 69.00 | 6.2 |
| 80B23 | 156.80 | 23 | 7.88 | 1 | | | | 12.0 | 80A23 | 71.80 | 6.7 |
| 80B24 | 160.00 | 24 | 8.20 | 1 | | | | 14.0 | 80A24 | 74.80 | 7.6 |
| 80B25 | 163.00 | 25 | 8.52 | 1 | | | | 14.9 | 80A25 | 77.60 | 8.0 |
| 80B26 | 168.20 | 26 | 8.81 | 1 | | | | 15.0 | 80A26 | 80.00 | 8.7 |
| 80B27 | 178.80 | 27 | 9.16 | 1 | 3-1/4 | 4-3/4 | 2 | 16.5 | 80A27 | 91.60 | 9.5 |
| 80B28 | 181.40 | 28 | 9.48 | 1 | | | | 17.5 | 80A28 | 92.00 | 10.1 |
| 80B29 | 186.20 | 29 | 9.80 | 1 | | | | 18.2 | 80A29 | 93.60 | 10.6 |
| 80B30 | 190.00 | 30 | 10.11 | 1 | | | | 19.0 | 80A30 | 94.40 | 11.3 |
| 80B31 | 200.00 | 31 | 10.43 | 1 | | | | 19.5 | 80A31 | 100.40 | 12.0 |
| 80B32 | 201.60 | 32 | 10.75 | 1 | | | | 20.0 | 80A32 | 101.80 | 12.8 |
| 80B33 | 216.00 | 33 | 11.07 | 1 | | | | 21.0 | 80A33 | 113.40 | 13.4 |
| 80B34 | 217.40 | 34 | 11.39 | 1 | | | | 22.0 | 80A34 | 123.00 | 14.5 |
| 80B35 | 219.00 | 35 | 11.71 | 1 | | | | 23.0 | 80A35 | 125.40 | 15.4 |
| 80B36 | 225.20 | 36 | 12.03 | 1 | | | | 24.0 | 80A36 | 130.20 | 16.0 |
| 80B37 | 237.60 | 37 | 12.35 | 1 | | | | 24.5 | 80A37 | 137.40 | 16.8 |
| 80B38 | 250.60 | 38 | 12.67 | 1 | | | | 25.2 | 80A38 | 149.40 | 17.5 |
| 80B39 | 256.20 | 39 | 12.99 | 1 | | | | 26.0 | 80A39 | 154.20 | 18.8 |
| 80B40 | 253.60 | 40 | 13.31 | 1 | | | | 27.0 | 80A40 | 156.80 | 19.6 |
| 80B41 | 259.40 | 41 | 13.63 | 1-1/4 | | | | 27.7 | 80A41 | 164.00 | 20.3 |
| 80B42 | 260.80 | 42 | 13.91 | | | | | 28.6 | 80A42 | 166.40 | 21.2 |
| 80B43 | 272.00 | 43 | 14.26 | | | | | 29.0 | 80A43 | 178.40 | 22.4 |
| 80B44 | 288.40 | 44 | 14.58 | | | | | 30.0 | 80A44 | 195.20 | 23.5 |
| 80B45 | 292.20 | 45 | 14.90 | | | | | 31.5 | 80A45 | 197.60 | 24.8 |
| 80B46 | 300.80 | 46 | 15.22 | | | | | 32.8 | 80A46 | 221.80 | 26.0 |
| 80B47 | 315.80 | 47 | 15.54 | | | | | 33.8 | 80A47 | 224.20 | 26.7 |
| 80B48 | 318.60 | 48 | 15.86 | | | | | 34.8 | 80A48 | 226.60 | 27.5 |
| 80B49 | 344.20 | 49 | 16.18 | | | | | 36.5 | 80A49 | 274.80 | 29.0 |
| 80B50 | 347.60 | 50 | 16.50 | | | | | 39.0 | 80A50 | 277.20 | 30.3 |
| 80B51 | 351.20 | 51 | 16.81 | | | | | 39.5 | 80A51 | 279.60 | 31.5 |
| 80B52 | 354.80 | 52 | 17.13 | | | | | 41.0 | 80A52 | 282.00 | 32.7 |
| 80B53 | 358.40 | 53 | 17.45 | | | | | 42.0 | 80A53 | 282.00 | 33.8 |
| 80B54 | 362.00 | 54 | 17.77 | | 3-1/2 | 5-1/4 | | 43.0 | 80A54 | 284.40 | 35.0 |
| 80B55 | 375.20 | 55 | 18.08 | | | | | 44.0 | 80A55 | 294.20 | 37.5 |
| 80B56 | 388.60 | 56 | 18.41 | | | | | 45.7 | 80A56 | 301.40 | 38.4 |
| 80B57 | 402.00 | 57 | 18.73 | | | | | 46.0 | 80A57 | 308.60 | 40.4 |
| 80B58 | 415.20 | 58 | 19.04 | | | | | 50.0 | 80A58 | 318.20 | 41.3 |
| 80B59 | 428.40 | 59 | 19.36 | | | | | 52.0 | 80A59 | 332.80 | 41.9 |
| 80B60 | 441.80 | 60 | 19.68 | | | | | 54.0 | 80A60 | 340.00 | 42.0 |
| 80B65 | 558.00 | 65 | 21.27 | | 4-1/4 | 6-1/4 | 3-1/2 | 61.8 | 80A65 | 436.40 | 52.2 |
| 80C70 | 579.60 | 70 | 22.87 | 1-1/2 | | | | 75.0 | 80A70 | 453.20 | 61.5 |
| 80C72 | 623.00 | 72 | 23.50 | | | | | 82.0 | 80A72 | 467.60 | 65.0 |
| 80C76 | 695.20 | 76 | 24.78 | | | | | 87.8 | 80A76 | 540.00 | 70.2 |
| 80C80 | 717.00 | 80 | 26.05 | | | | | 92.0 | 80A80 | 556.80 | 81.0 |
| 80C84 | 789.40 | 84 | 27.33 | | | | | 100.0 | 80A84 | 619.60 | 90.0 |
| 80C90 | 912.80 | 90 | 29.21 | | | | | 116.0 | 80A90 | 778.60 | 101.0 |
| 80C96 | 941.80 | 96 | 31.15 | | | | | 152.0 | 80A96 | 802.80 | 119.0 |
| 80C112 | 1315.40 | 112 | 36.24 | | | | | 170.0 | 80A112 | 1203.00 | 141.0 |



* Indicates hub diameter is grooved for chain clearance.

Maximum bores will accommodate standard keyway and setscrew over key. Slightly larger bores may be possible with shallow keyway and/or setscrew at 90 degrees.

Multiple keyways must be priced at factory.

| | |
|-------------------------------|---------------------|
| Split Type A plate | \$ 3.42 |
| per inch of sprocket diameter | |
| Rebore | \$49.00 |
| Keyway | \$13.40 |
| Setscrew (each) | \$13.40 |
| Harden per tooth | \$ 1.78 |
| Drill Type A plate | (4) holes = \$28.00 |
| | (6) holes = \$42.00 |
| | (8) holes = \$56.00 |



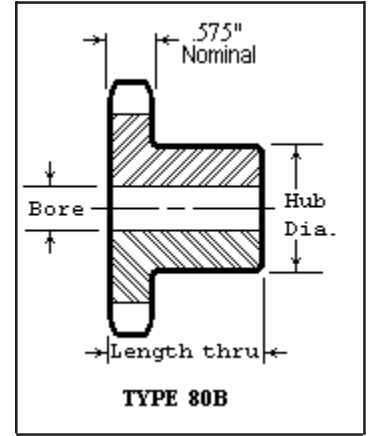
RYLE Manufacturing Company 1-800-433-0960

No. 80 1" Pitch

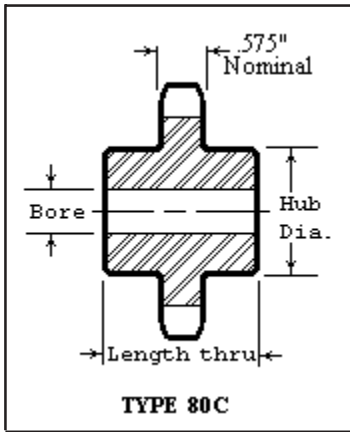
Stainless Steel

| RYLE P/N | LIST PRICE | NO. TEETH | O.D. TEETH | STOCK BORE | MAX BORE | HUB DIA. | LTB | LBS. |
|----------|------------|-----------|------------|------------|----------|----------|-------|------|
| 80B10SS | 295.00 | 10 | 3.68 | 1 | 1-1/2 | 2-9/16* | 1-5/8 | 1.7 |
| 80B11SS | 365.00 | 11 | 4.01 | 1 | 1-5/8 | 2-13/16* | | 2.3 |
| 80B12SS | 405.00 | 12 | 4.33 | 1 | 1-7/8 | 3-1/8* | | 3.0 |
| 80B13SS | 462.00 | 13 | 4.66 | 1 | 2 | 3 | 1-1/2 | 3.5 |
| 80B14SS | 535.00 | 14 | 4.98 | 1 | 2-1/4 | 3-1/4 | | 4.1 |
| 80B15SS | 618.00 | 15 | 5.30 | 1 | 2-1/2 | 3-13/16 | | 5.2 |
| 80B16SS | 654.00 | 16 | 5.63 | 1 | 2-3/4 | 4 | | 6.1 |
| 80B17SS | 732.00 | 17 | 5.95 | 1 | | | | 7.0 |
| 80B18SS | 815.00 | 18 | 6.27 | 1 | 3 | 4-1/4 | | 7.8 |
| 80B19SS | 865.00 | 19 | 6.59 | 1 | | | | 9.0 |
| 80B20SS | 975.00 | 20 | 6.91 | 1 | | | | 10.5 |

* Indicates hub diameter is grooved for chain clearance.
 Maximum bores will accommodate standard keyway and setscrew over key.
 Slightly larger bores may be possible with shallow keyway and/or setscrew at 90 degrees.
 Multiple keyways must be priced at factory.



| | |
|-----------------|---------|
| Rebore | \$49.00 |
| Keyway | \$13.40 |
| Setscrew (each) | \$13.40 |



Type C

| RYLE P/N | LIST PRICE | NO. TEETH | O.D. TEETH | STOCK BORE | MAX BORE | HUB DIA. | LTB | LBS. |
|----------|------------|-----------|------------|------------|----------|----------|-------|------|
| 80C11 | 160.00 | 11 | 4.00 | 1 | 1-5/8 | 2-1/2 | 2-3/8 | 3.9 |
| 80C12 | 164.40 | 12 | 4.33 | 1 | 1-7/8 | 2-3/4 | | 4.3 |
| 80C13 | 179.40 | 13 | 4.65 | 1 | 2 | 3-1/8 | | 5.3 |
| 80C14 | 209.80 | 14 | 4.98 | 1 | 2-1/4 | 3-3/8 | | 6.4 |
| 80C15 | 230.00 | 15 | 5.30 | 1 | 2-1/2 | 3-13/16 | | 7.8 |
| 80C16 | 246.00 | 16 | 5.62 | 1 | 2-3/4 | 4 | | 8.8 |

Hub projection is centered

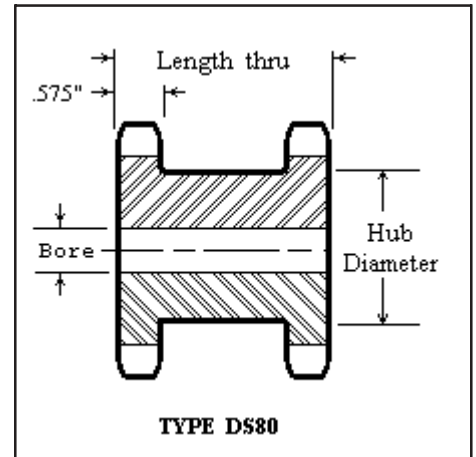
| | |
|------------------|---------|
| Rebore | \$49.00 |
| Keyway | \$13.40 |
| Setscrew (each) | \$13.40 |
| Harden per tooth | \$ 1.78 |

| RYLE P/N | LIST PRICE |
|----------|------------|
| 80B9H | 66.00 |
| 80B10H | 73.20 |
| 80B11H | 79.60 |
| 80B12H | 85.80 |
| 80B13H | 92.60 |
| 80B14H | 98.80 |
| 80B15H | 105.20 |
| 80B16H | 116.60 |
| 80B17H | 130.00 |
| 80B18H | 143.60 |
| 80B19H | 158.00 |
| 80B20H | 172.60 |

Type B Hard Teeth

Double-Single

| RYLE P/N | LIST PRICE | TEETH O.D. | STOCK BORE | MAX BORE | LTB | HUB DIA. | LBS. |
|----------|------------|------------|------------|----------|--------|----------|------|
| DS80A13 | 217.00 | 4.66 | 1 | 2 | 2-3/16 | 3-1/64 | 6.5 |
| DS80A14 | 248.20 | 4.98 | 1 | 2-1/4 | | 3-11/32 | 7.7 |
| DS80A15 | 267.60 | 5.30 | 1 | 2-3/8 | | 3-13/16 | 9.1 |
| DS80A16 | 272.40 | 5.63 | 1 | 2-11/16 | | 4 | 9.5 |
| DS80A17 | 279.60 | 5.95 | 1 | 2-13/16 | | 4-5/16 | 10.8 |
| DS80A18 | 286.80 | 6.27 | 1 | 3-1/8 | | 4-41/64 | 12.1 |
| DS80A19 | 299.00 | 6.59 | 1 | 3-1/4 | | 4-61/64 | 12.8 |
| DS80A20 | 313.40 | 6.91 | 1 | 3-1/2 | | 5-9/32 | 14.0 |
| DS80A21 | 330.40 | 7.24 | 1 | 3-3/4 | | 5-19/32 | 16.5 |
| DS80A22 | 344.80 | 7.56 | 1 | 3-7/8 | 2-3/16 | 5-59/64 | 18.4 |





RYLE Manufacturing Company 1-800-433-0960

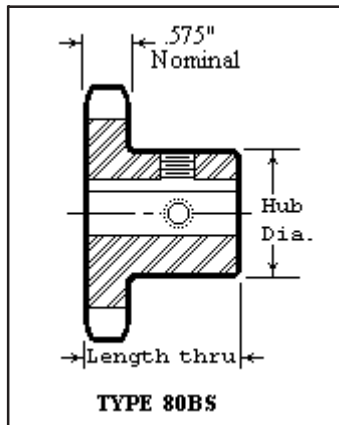
No. 80 1" Pitch Bored to Size & Winch

| RYLE P/N | LIST PRICE | NO. TEETH | O.D. TEETH | LBS. | AVAILABLE BORE SIZES WITH STANDARD KEYWAY AND (2) SETSCREWS | | | | | | | | | | | | |
|----------|------------|-----------|------------|------|---|-------|--------|-------|-------|--------|-------|-------|-------|-------|---------|---|--------|
| 80BS9 | 41.40 | 9 | 3.35 | 1.6 | 1 | 1-1/8 | 1-3/16 | 1-1/4 | | | | | | | | | |
| 80BS10 | 58.80 | 10 | 3.69 | 1.7 | 1 | 1-1/8 | 1-3/16 | 1-1/4 | | | | | | | | | |
| 80B10W | 58.80 | 10W | 3.69 | 1.7 | | | | 1-1/4 | | | | | | | | | |
| 80BS11 | 65.60 | 11 | 4.01 | 2.3 | 1 | 1-1/8 | 1-3/16 | 1-1/4 | 1-3/8 | 1-7/16 | 1-1/2 | 1-5/8 | | | | | |
| 80B11W | 65.60 | 11W | 4.01 | 2.3 | | | | 1-1/4 | | | | | | | | | |
| 80BS12 | 73.80 | 12 | 4.33 | 3.0 | 1 | 1-1/8 | 1-3/16 | 1-1/4 | 1-3/8 | 1-7/16 | 1-1/2 | 1-5/8 | 1-3/4 | | | | |
| 80B12W | 73.80 | 12W | 4.33 | 3.0 | | | | 1-1/4 | | | 1-1/2 | | | | | | |
| 80BS13 | 81.40 | 13 | 4.66 | 3.5 | 1 | 1-1/8 | 1-3/16 | 1-1/4 | 1-3/8 | 1-7/16 | 1-1/2 | 1-5/8 | 1-3/4 | 1-7/8 | 1-15/16 | 2 | |
| 80BS14 | 89.60 | 14 | 4.98 | 4.1 | 1 | 1-1/8 | 1-3/16 | 1-1/4 | 1-3/8 | 1-7/16 | 1-1/2 | 1-5/8 | 1-3/4 | 1-7/8 | 1-15/16 | 2 | |
| 80BS15 | 95.60 | 15 | 5.30 | 5.2 | 1 | 1-1/8 | 1-3/16 | 1-1/4 | 1-3/8 | 1-7/16 | 1-1/2 | 1-5/8 | 1-3/4 | 1-7/8 | 1-15/16 | 2 | |
| 80B15W | 95.60 | 15W | 5.30 | 5.2 | | | | 1-1/4 | | | 1-1/2 | | | | | | |
| 80BS16 | 104.20 | 16 | 5.63 | 6.1 | 1 | | 1-3/16 | 1-1/4 | 1-3/8 | 1-7/16 | 1-1/2 | 1-5/8 | 1-3/4 | | 1-15/16 | 2 | |
| 80BS17 | 124.80 | 17 | 5.95 | 7.0 | 1 | | 1-3/16 | 1-1/4 | 1-3/8 | 1-7/16 | 1-1/2 | 1-5/8 | 1-3/4 | | 1-15/16 | 2 | |
| 80BS18 | 133.20 | 18 | 6.27 | 7.8 | 1 | | 1-3/16 | 1-1/4 | 1-3/8 | 1-7/16 | 1-1/2 | 1-5/8 | 1-3/4 | | 1-15/16 | 2 | 2-7/16 |
| 80B18W | 133.20 | 18W | 6.27 | 7.8 | | | | 1-1/4 | | | 1-1/2 | | | | | | |
| 80BS19 | 141.80 | 19 | 6.59 | 8.0 | 1 | | 1-3/16 | 1-1/4 | 1-3/8 | 1-7/16 | 1-1/2 | 1-5/8 | 1-3/4 | | 1-15/16 | 2 | 2-7/16 |
| 80BS20 | 150.40 | 20 | 6.91 | 8.0 | 1 | | | 1-1/4 | 1-3/8 | 1-7/16 | 1-1/2 | 1-5/8 | 1-3/4 | | 1-15/16 | 2 | 2-7/16 |
| 80B20W | 150.40 | 20W | 6.91 | 6.5 | | | | 1-1/4 | | | 1-1/2 | | | | | | |
| 80B21W | 156.80 | 21W | 7.21 | 7.0 | | | | 1-1/4 | | | 1-1/2 | | | | | | |

Hub diameters may vary to suit bore sizes.
W = Winch sprocket with 5/16" x 5/32" key

Single Strand 80 Winch

| RYLE P/N | LIST PRICE |
|----------|------------|
| 80BS9H | 76.80 |
| 80BS10H | 84.00 |
| 80BS11H | 93.00 |
| 80BS12H | 103.00 |
| 80BS13H | 112.60 |
| 80BS14H | 124.20 |
| 80BS15H | 132.00 |
| 80BS16H | 142.00 |
| 80BS17H | 157.00 |
| 80BS18H | 178.40 |
| 80BS19H | 186.00 |
| 80BS20H | 204.40 |



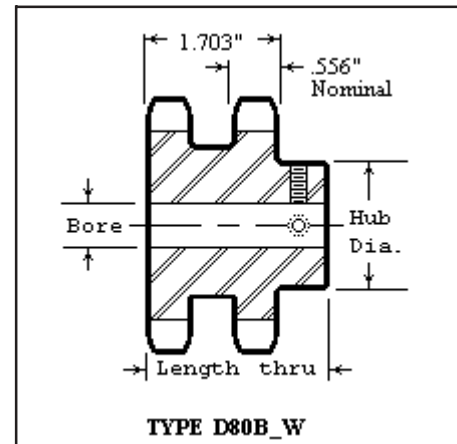
| RYLE P/N | LIST PRICE | NO. TEETH | O.D. TEETH | LBS. | AVAILABLE BORE SIZES WITH (2) SETSCREWS | |
|----------|------------|-----------|------------|------|---|-------|
| 80B10W | 58.80 | 10 | 3.68 | 1.7 | 1-1/4 | |
| 80B11W | 65.60 | 11 | 4.01 | 1.9 | 1-1/4 | |
| 80B12W | 73.80 | 12 | 4.33 | 3.0 | 1-1/4 | 1-1/2 |
| 80B15W | 95.60 | 15 | 5.30 | 4.7 | 1-1/4 | 1-1/2 |
| 80B18W | 133.20 | 18 | 6.27 | 6.0 | 1-1/4 | 1-1/2 |
| 80B20W | 150.40 | 20 | 6.91 | 6.5 | 1-1/4 | 1-1/2 |
| 80B21W | 156.80 | 21 | 7.21 | 7.0 | 1-1/4 | 1-1/2 |

W = Winch sprocket with non-standard 5/16" keyway and (2) setscrews

Double Strand 80-2 Winch

| RYLE P/N | LIST PRICE | NO. TEETH | O.D. TEETH | LBS. | AVAILABLE BORE SIZES WITH 2) SETSCREWS | | |
|----------|------------|-----------|------------|------|--|---------|-------------|
| D80B12W | 205.80 | 12 | 4.33 | 6.0 | 1-1/4 | 1-1/2 * | 1-3/4 # |
| D80B14W | 232.20 | 14 | 4.98 | 8.0 | | 1-1/2 # | |
| D80B15W | 244.00 | 15 | 5.30 | 10.0 | 1-1/4 | 1-1/2 * | 1-3/4 # 2 # |
| D80B18W | 298.00 | 18 | 6.27 | 14.0 | 1-1/4 | 1-1/2 * | 1-3/4 # 2 # |
| D80B20W | 356.80 | 20 | 6.91 | 17.0 | | 1-1/2 * | 1-3/4 # 2 # |
| D80B21W | 390.20 | 21 | 7.21 | 19.0 | | 1-1/2 # | 2 # |
| D80B24W | 477.40 | 24 | 8.20 | 26.0 | | 1-1/2 * | 1-3/4 # 2 # |

W = Winch
(*) Indicates 5/16" & 3/8" key available (#) Indicates 3/8" key only
All Keyways In Line (KIL) with top of tooth
All have Induction Hardened Teeth and (2) setscrews





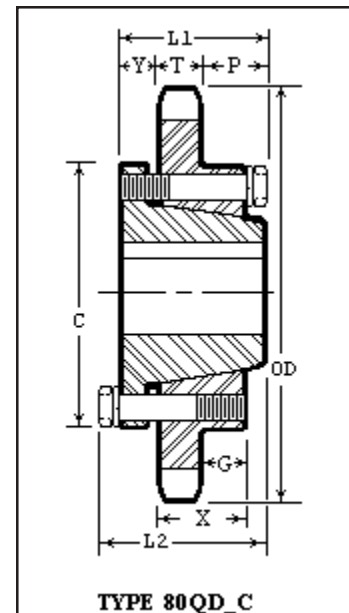
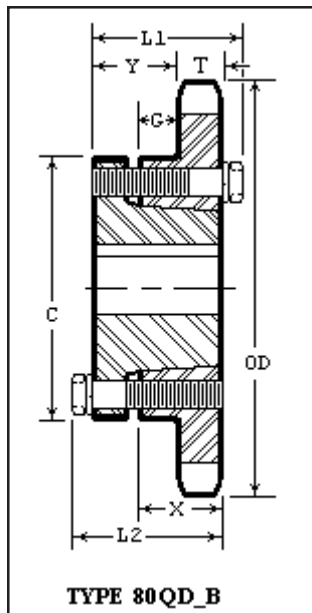
RYLE Manufacturing Company 1-800-433-0960

No. 80 1" Pitch

| RYLE P/N | LIST PRICE | TYPE | O.D. TEETH | MAX BORE | L1 | L2 | C | Y | G | X | T | LBS. |
|-----------|------------|------|------------|----------|--------|---------|---------|---------|--------|-------|------|-------|
| 80QD11SH | 83.80 | B | 4.01 | 1-5/8 | 1-7/16 | 1-7/16 | 2-11/16 | 21/32 | 15/64 | 13/16 | .575 | .8 |
| 80QD12SH | 92.00 | B | 4.33 | 1-5/8 | 1-7/16 | 1-7/16 | 2-11/16 | 21/32 | 15/64 | 13/16 | .575 | 1.1 |
| 80QD13SDS | 92.00 | B | 4.66 | 2 | 1-1/2 | 1-1/2 | 3-3/16 | 47/64 | 11/64 | 3/4 | .575 | 1.3 |
| 80QD14SDS | 98.80 | B | 4.98 | 2 | 1-1/2 | 1-1/2 | 3-3/16 | 47/64 | 11/64 | 3/4 | .575 | 1.6 |
| 80QD15SK | 108.60 | B | 5.30 | 2-5/8 | 2-1/8 | 2-1/8 | 3-7/8 | 1-19/64 | 21/32 | 1-1/4 | .575 | 2.1 |
| 80QD16SK | 113.40 | B | 5.63 | | | | | | | | | 3.2 |
| 80QD17SK | 127.80 | B | 5.95 | | | | | | | | | 3.7 |
| 80QD18SK | 141.20 | B | 6.21 | | | | | | | | | 4.2 |
| 80QD19SK | 155.80 | B | 6.59 | 2-5/8 | 2-1/8 | 2-1/8 | 3-7/8 | 1-19/64 | 21/32 | 1-1/4 | .575 | 5.0 |
| 80QD20SF | 158.00 | B | 6.91 | 2-15/16 | 2-1/4 | 2-1/4 | 4-5/8 | 1-27/64 | 21/32 | 1-1/4 | .575 | 5.6 |
| 80QD21SF | 160.60 | B | 7.24 | | | | | | | | | 6.4 |
| 80QD22SF | 167.60 | B | 7.56 | | | | | | | | | 6.8 |
| 80QD23SF | 173.60 | B | 7.88 | | | | | | | | | 7.2 |
| 80QD24SF | 177.20 | B | 8.20 | | | | | | | | | 7.6 |
| 80QD25SF | 182.80 | B | 8.52 | | | | | | | | | 8.0 |
| 80QD26SF | 203.40 | B | 8.84 | | | | | | | | | 8.5 |
| 80QD27SF | 208.20 | B | 9.16 | | | | | | | | | 9.7 |
| 80QD28SF | 218.00 | B | 9.48 | | | | | | | | | 10.9 |
| 80QD30SF | 224.20 | B | 10.11 | | | | | | | | | 12.1 |
| 80QD32SF | 235.80 | B | 10.75 | | | | | | | | | 12.5 |
| 80QD33SF | 242.00 | B | 11.07 | | | | | | | | | 12.9 |
| 80QD34SF | 249.40 | B | 11.39 | | | | | | | | | 13.2 |
| 80QD35SF | 254.60 | B | 11.71 | | | | | | | | | 13.5 |
| 80QD36SF | 261.40 | B | 12.03 | | | | | | | | | 14.0 |
| 80QD40SF | 293.60 | B | 13.31 | | | | | | | | | 20.6 |
| 80QD42SF | 312.00 | B | 13.94 | | | | | | | | | 23.5 |
| 80QD45SF | 339.40 | B | 14.90 | | | | | | | | | 26.9 |
| 80QD48SF | 386.60 | B | 15.86 | | | | | | | | | 29.8 |
| 80QD54SF | 424.80 | B | 17.77 | | | | | | | | | 34.7 |
| 80QD60SF | 516.80 | B | 19.68 | 2-15/16 | 2-1/4 | 2-1/4 | 4-5/8 | 1-27/64 | 21/32 | 1-1/4 | .575 | 46.0 |
| 80QD70E | 652.40 | C | 22.87 | 3-1/2 | 2-5/8 | 2-15/16 | 6 | 7/8 | 1-3/64 | 1-5/8 | .575 | 67.0 |
| 80QD72E | 717.40 | C | 23.50 | | | | | | | | | 75.0 |
| 80QD80E | 809.00 | C | 26.05 | | | | | | | | | 80.0 |
| 80QD84E | 913.20 | C | 27.33 | | | | | | | | | 98.0 |
| 80QD96E | 1109.00 | C | 31.15 | | | | | | | | | 125.0 |
| 80QD112F | 1327.40 | C | 36.24 | 3-1/2 | 2-5/8 | 2-15/16 | 6 | 7/8 | 1-3/64 | 1-5/8 | .575 | 130.0 |

Harden per tooth\$ 1.78
 QD Bushing dimensions and prices page 10

| RYLE P/N | LIST PRICE |
|------------|------------|
| 80QD11HSH | 102.80 |
| 80QD12HSH | 112.80 |
| 80QD13HSDS | 114.20 |
| 80QD14HSDS | 123.40 |
| 80QD15HSK | 126.60 |
| 80QD16HSK | 140.80 |
| 80QD17HSK | 156.80 |
| 80QD18HSK | 172.20 |
| 80QD19HSK | 189.00 |
| 80QD20HSF | 192.80 |
| 80QD21HSF | 199.00 |
| 80QD22HSF | 202.40 |
| 80QD23HSF | 207.40 |
| 80QD24HSF | 213.40 |
| 80QD25HSF | 226.60 |
| 80QD26HSF | 248.20 |
| 80QD27HSF | 255.00 |
| 80QD28HSF | 266.60 |
| 80QD30HSF | 276.80 |





RYLE Manufacturing Company 1-800-433-0960

No. 80-2 Double Strand 1" Pitch

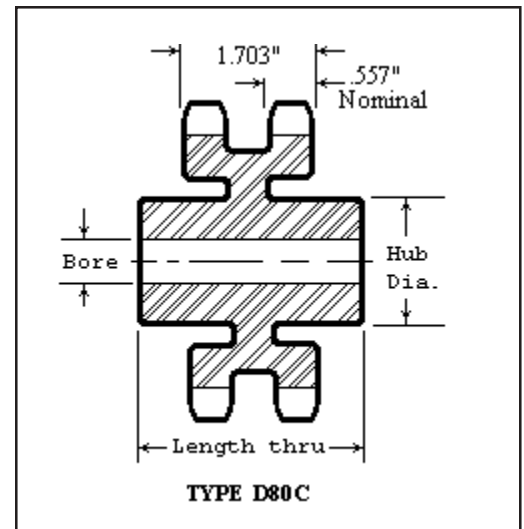
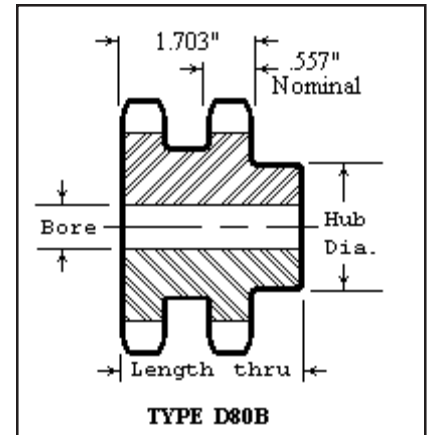
| RYLE P/N | LIST PRICE | NO. TEETH | O.D. TEETH | STOCK BORE | MAX BORE | HUB DIA. | LTB | LBS. |
|----------|------------|-----------|------------|------------|----------|----------|-------|-------|
| D80B10H | 158.60 | 10 | 3.68 | 1 | 1-1/2 | 2-9/16* | 2-3/4 | 4.3 |
| D80B11H | 160.00 | 11 | 4.01 | 1 | 1-3/4 | 2-13/16* | | 5.4 |
| D80B12H | 169.60 | 12 | 4.33 | 1 | 1-7/8 | 3-1/8* | | 6.2 |
| D80B13H | 182.80 | 13 | 4.66 | 1 | 2-1/4 | 3-3/16 | 2-1/2 | 7.1 |
| D80B14H | 192.00 | 14 | 4.98 | 1 | 2-3/8 | 3-3/8 | | 8.4 |
| D80B15H | 207.80 | 15 | 5.30 | 1 | 2-1/2 | 3-13/16 | | 10.4 |
| D80B16H | 226.60 | 16 | 5.63 | 1 | 2-3/4 | 4-1/16 | 2-3/4 | 12.5 |
| D80B17H | 244.40 | 17 | 5.95 | 1 | 3 | 4-7/16 | | 13.9 |
| D80B18H | 261.80 | 18 | 6.27 | 1 | 3-1/4 | 4-3/4 | | 14.2 |
| D80B19H | 290.20 | 19 | 6.59 | 1 | 3-3/8 | 5 | | 15.0 |
| D80B20H | 320.60 | 20 | 6.91 | 1 | | | | 16.8 |
| D80B21H | 350.00 | 21 | 7.24 | 1 | | | | 19.2 |
| D80B22H | 382.40 | 22 | 7.56 | 1 | | | | 21.0 |
| D80B23H | 396.80 | 23 | 7.88 | 1 | | | | 23.0 |
| D80B24H | 441.20 | 24 | 8.20 | 1 | 3-1/2 | 5-1/4 | | 26.0 |
| D80B25H | 487.00 | 25 | 8.52 | 1 | | | 3 | 29.0 |
| D80B26 | 511.00 | 26 | 8.84 | 1 | | | | 33.0 |
| D80B30 | 537.60 | 30 | 10.11 | 1 | 3-7/8 | 5-3/4 | | 41.0 |
| D80B32 | 566.60 | 32 | 10.75 | 1 | | | | 45.0 |
| D80B35 | 583.40 | 35 | 11.71 | 1 | | | | 52.0 |
| D80B36 | 600.40 | 36 | 12.03 | 1-1/4 | | | 3-1/8 | 55.0 |
| D80B42 | 672.60 | 42 | 13.94 | | | | | 73.0 |
| D80B45 | 754.60 | 45 | 14.90 | | | | | 80.0 |
| D80C52 | 901.60 | 52 | 17.13 | 1-1/2 | 4-1/2 | 6-1/2 | 3-3/4 | 92.5 |
| D80C60 | 1150.00 | 60 | 19.68 | | | | | 107.0 |
| D80C68 | 1393.40 | 68 | 22.23 | | | | 4 | 130.0 |
| D80C76 | 1904.60 | 76 | 24.78 | | | | | 145.0 |
| D80C95 | 2589.20 | 95 | 30.83 | | | | 4-1/4 | 210.0 |

* Indicates hub diameter is grooved for chain clearance.

Note: 25 teeth or less already have Hardened Teeth.

Maximum bores will accommodate standard keyway and setscrew over key. Slightly larger bores may be possible with shallow keyway and/or setscrew at 90 degrees.

Multiple keyways must be priced at factory.



| | |
|------------------|---------|
| Rebore | \$49.00 |
| Keyway | \$13.40 |
| Setscrew (each) | \$13.40 |
| Harden per tooth | \$ 1.78 |



RYLE Manufacturing Company 1-800-433-0960

No. 80-2 Double Strand 1" Pitch

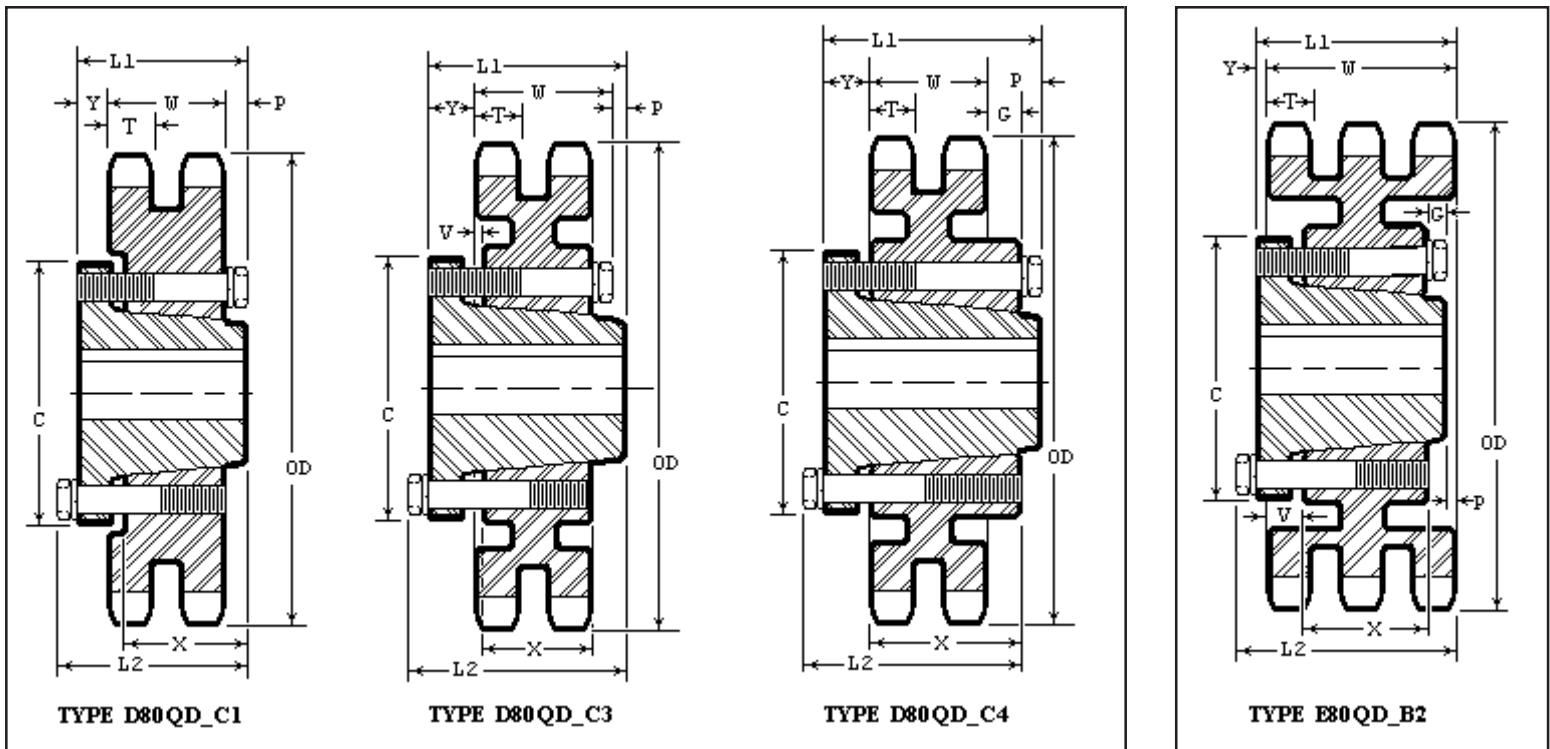
No. 80-3 Triple Strand 1" Pitch

| RYLE P/N | LIST PRICE | O.D. TEETH | MAX BORE | TYPE MOUNT | DIMENSIONS | | | | | | | LBS. | | | | |
|------------|------------|------------|----------|------------|------------|---------|-------|---------|-------|-------|------|------|-------|------|-------|-------|
| | | | | | L1 | L2 | C | Y | P | G | V | | X | T | W | |
| D80QD16HSK | 336.00 | 5.63 | 2-5/8 | (*) | 2-1/8 | 2-1/8 | 3-7/8 | 1-19/64 | | | | | 1-1/4 | .557 | 1.703 | 3.8 |
| D80QD20HSF | 386.00 | 6.92 | 2-15/16 | (*) | 2-1/4 | 2-1/4 | 4-5/8 | 1-27/64 | | | | | 1-1/4 | | | 7.5 |
| D80QD36E | 665.40 | 12.03 | 3-1/2 | C1 | 2-5/8 | 2-15/16 | 6 | 51/64 | 1/8 | | | | 1-5/8 | | | 47.0 |
| D80QD42E | 735.40 | 13.94 | | C1 | | | | | | | | | | | | 56.0 |
| D80QD45E | 814.80 | 14.90 | | C1 | 2-5/8 | 2-15/16 | 6 | 51/64 | 1/8 | | | | 1-5/8 | .557 | 1.703 | 66.0 |
| D80QD52E | 986.00 | 17.13 | | C3 | 2-5/8 | 2-15/16 | 6 | 51/64 | 1/8 | | 3/32 | | 1-5/8 | .557 | 1.703 | 70.0 |
| D80QD60E | 1270.60 | 19.68 | | C3 | | | | | | | 3/32 | | | | | 75.0 |
| D80QD68E | 1557.40 | 22.23 | | C3 | | | | | | | 3/32 | | | | | 83.0 |
| D80QD76E | 2148.00 | 24.78 | | C3 | 2-5/8 | 2-15/16 | 6 | 51/64 | 1/8 | | 3/32 | | 1-5/8 | .557 | 1.703 | 100.0 |
| D80QD95F | 2832.80 | 30.83 | 3-15/16 | C4 | 3-5/8 | 4 | 6-5/8 | 1 | 59/64 | 51/64 | | | 2-1/2 | .557 | 1.703 | 140.0 |

Harden per tooth\$ 1.78

QD Bushing dimensions and prices page 10

(*) Drawing not illustrated



| RYLE P/N | LIST PRICE | O.D. TEETH | MAX BORE | TYPE MOUNT | DIMENSIONS | | | | | | | LBS. | | | | |
|----------|------------|------------|----------|------------|------------|---------|-------|-------|-------|-----|------|------|-------|------|-------|-------|
| | | | | | L1 | L2 | C | Y | P | G | V | | X | T | W | |
| E80QD36E | 1003.00 | 12.03 | 3-1/2 | B2 | 3-7/64 | 3-27/64 | 6 | 1/4 | 31/64 | 1/8 | 5/8 | | 1-5/8 | .557 | 2.850 | 48.0 |
| E80QD42E | 1183.80 | 13.94 | | B2 | | | | | | | | | | | | 56.0 |
| E80QD45E | 1333.20 | 14.90 | | B2 | | | | | | | | | | | | 88.0 |
| E80QD52E | 1557.40 | 17.13 | 3-1/2 | B2 | 3-7/64 | 3-27/64 | 6 | 1/4 | 31/64 | 1/8 | 5/8 | | 1-5/8 | .557 | 2.850 | 92.0 |
| E80QD60F | 1950.40 | 19.68 | 3-15/16 | B2 | 3-43/64 | 4-3/64 | 6-5/8 | 13/16 | 3/64 | 1/8 | 3/16 | | 2-1/2 | .557 | 2.850 | 100.0 |
| E80QD68F | 2244.40 | 22.23 | | B2 | | | | | | | | | | | | 130.0 |
| E80QD76F | 2743.60 | 24.78 | | B2 | | | | | | | | | | | | 149.0 |
| E80QD95F | 3341.40 | 30.83 | 3-15/16 | B2 | 3-43/64 | 4-3/64 | 6-5/8 | 13/16 | 3/64 | 1/8 | 3/16 | | 2-1/2 | .557 | 2.850 | 206.0 |

Harden per tooth\$ 1.78

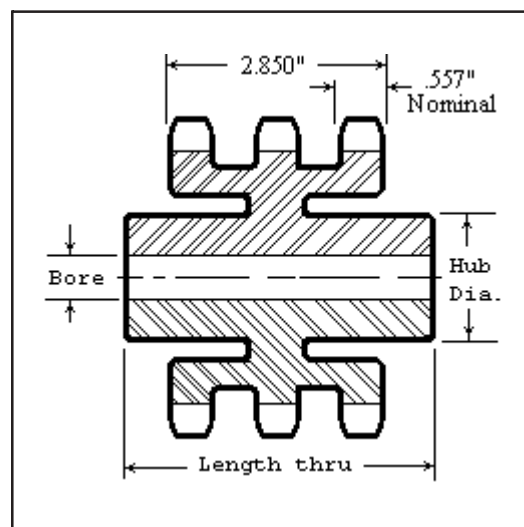
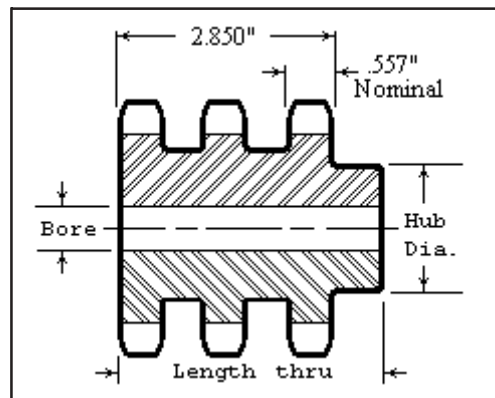
QD Bushing dimensions and prices page 10



RYLE Manufacturing Company 1-800-433-0960

No. 80-3 Triple Strand 1" Pitch

| RYLE P/N | LIST PRICE | NO. TEETH | O.D. TEETH | STOCK BORE | MAX BORE | HUB DIA. | LTB | LBS. |
|----------|------------|-----------|------------|------------|----------|----------|-------|------|
| E80B10H | 220.00 | 10 | 3.68 | 1 | 1-1/2 | 2-9/16* | 3-7/8 | 5.0 |
| E80B11H | 223.80 | 11 | 4.01 | 1 | 1-3/4 | 2-13/16* | | 6.0 |
| E80B12H | 234.80 | 12 | 4.33 | 1 | 1-7/8 | 3-1/8* | | 7.9 |
| E80B13H | 245.80 | 13 | 4.66 | 1 | 2-1/4 | 3-3/16 | 3-5/8 | 9.1 |
| E80B14H | 263.20 | 14 | 4.98 | 1 | 2-3/8 | 3-3/8 | | 10.3 |
| E80B15H | 282.60 | 15 | 5.30 | 1 | 2-1/2 | 3-13/16 | | 12.2 |
| E80B16H | 325.60 | 16 | 5.63 | 1 | 2-3/4 | 4-1/16 | 3-7/8 | 15.0 |
| E80B17H | 345.80 | 17 | 5.95 | 1 | 3 | 4-7/16 | | 17.8 |
| E80B18H | 379.00 | 18 | 6.27 | 1 | 3-1/4 | 4-3/4 | | 19.1 |
| E80B19H | 418.60 | 19 | 6.59 | 1 | 3-3/8 | 5 | | 21.6 |
| E80B20H | 438.80 | 20 | 6.91 | 1 | | | | 25.0 |
| E80B21H | 460.00 | 21 | 7.24 | 1 | | | | 28.0 |
| E80B22H | 507.20 | 22 | 7.56 | 1 | | | | 32 |
| E80B23H | 542.40 | 23 | 7.88 | 1 | | | | 37 |
| E80B24H | 614.80 | 24 | 8.20 | 1 | 3-1/2 | 5-1/4 | | 43 |
| E80B25H | 689.60 | 25 | 8.52 | 1 | | | | 49 |
| E80B26 | 699.00 | 26 | 8.84 | 1 | | | | 54 |
| E80B30 | 781.00 | 30 | 10.11 | 1 | 4 | 6 | | 69 |
| E80B35 | 894.40 | 35 | 11.71 | 1 | | | | 80 |
| E80B36 | 918.60 | 36 | 12.03 | 1-1/4 | | | | 85 |
| E80C42 | 1072.80 | 42 | 13.94 | | 4-1/2 | 6-1/2 | 4-1/2 | 100 |
| E80C45 | 1205.40 | 45 | 14.90 | | | | | 110 |
| E80C52 | 1393.40 | 52 | 17.13 | 1-1/2 | | | | 115 |
| E80C60 | 1786.40 | 60 | 19.68 | | | | 4-3/4 | 122 |
| E80C68 | 2083.00 | 68 | 22.23 | | | | | 130 |
| E80C76 | 2514.40 | 76 | 24.78 | | | | | 150 |
| E80C95 | 3025.60 | 95 | 30.83 | | | | 5 | 215 |



* Indicates hub diameter is grooved for chain clearance.

Note: 25 teeth or less already have Hardened Teeth.

Maximum bores will accommodate standard keyway and setscrew over key. Slightly larger bores may be possible with shallow keyway and/or setscrew at 90 degrees.

Multiple keyways must be priced at factory.

| | |
|------------------|---------|
| Rebore | \$49.00 |
| Keyway | \$13.40 |
| Setscrew (each) | \$13.40 |
| Harden per tooth | \$ 1.78 |



RYLE Manufacturing Company 1-800-433-0960

No. 80-4 Quadruple Strand 1" Pitch

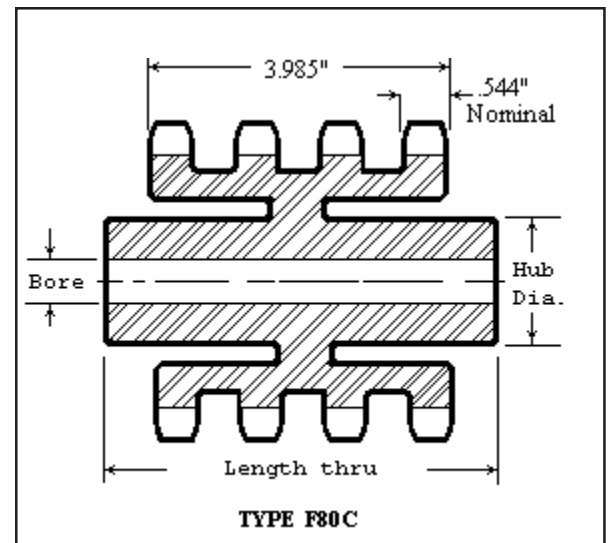
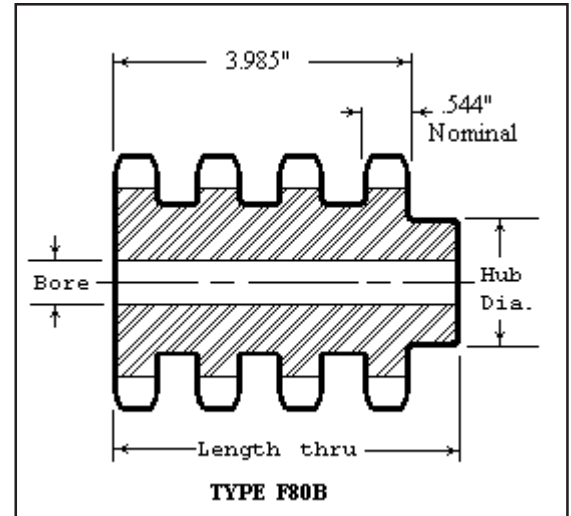
| RYLE P/N | LIST PRICE | NO. TEETH | O.D. TEETH | STOCK BORE | MAX BORE | HUB DIA. | LTB | LBS. |
|----------|------------|-----------|------------|------------|----------|----------|-------|------|
| F80B12H | 494.00 | 12 | 4.33 | 1-1/4 | 1-7/8 | 2-3/4 | 5 | 9 |
| F80B13H | 514.00 | 13 | 4.66 | | 2-1/4 | 3-3/16 | | 11 |
| F80B14H | 584.00 | 14 | 4.98 | | 2-3/8 | 3-1/2 | | 14 |
| F80B15H | 630.00 | 15 | 5.30 | | 2-1/2 | 3-13/16 | | 17 |
| F80B16H | 676.00 | 16 | 5.63 | | 2-3/4 | 4 | | 20 |
| F80B17H | 750.00 | 17 | 5.95 | 1-1/2 | 3 | 4-3/8 | | 23 |
| F80B18H | 794.00 | 18 | 6.27 | | 3-1/4 | 4-3/4 | | 26 |
| F80B19H | 844.00 | 19 | 6.59 | | 3-3/8 | 5 | | 30 |
| F80B20H | 946.00 | 20 | 6.91 | | | | | 33 |
| F80B21H | 1030.00 | 21 | 7.24 | | | | | 36 |
| F80B22H | 1110.00 | 22 | 7.56 | | | | | 40 |
| F80B23H | 1180.00 | 23 | 7.88 | | | | | 44 |
| F80B24H | 1240.00 | 24 | 8.20 | | | | | 48 |
| F80B25H | 1320.00 | 25 | 8.52 | | | | | 52 |
| F80B26H | 1390.00 | 26 | 8.84 | | | | | 56 |
| F80B30 | 1510.00 | 30 | 10.11 | | 3-5/8 | 5-1/2 | 5-1/2 | 75 |
| F80B35 | 1800.00 | 35 | 11.71 | | | | | 105 |
| F80B40 | 2180.00 | 40 | 13.31 | | | | | 135 |
| F80C45 | 2820.00 | 45 | 14.90 | 2 | | | | 91 |
| F80C52 | 3250.00 | 52 | 17.13 | | | | | 101 |
| F80C60 | 3760.00 | 60 | 19.68 | | 3-3/4 | 5-3/4 | 5-3/4 | 120 |
| F80C68 | 4722.00 | 68 | 22.23 | | | | | 140 |
| F80C76 | 5320.00 | 76 | 24.78 | | 4 | 6 | 6 | 166 |
| F80C95 | 6576.00 | 95 | 30.83 | | | | | 245 |

Note: 26 teeth or less already have Hardened Teeth.

Maximum bores will accommodate standard keyway and setscrew over key. Slightly larger bores may be possible with shallow keyway and/or setscrew at 90 degrees.

Multiple keyways must be priced at factory.

| | |
|------------------|---------|
| Rebore | \$49.00 |
| Keyway | \$13.40 |
| Setscrew (each) | \$13.40 |
| Harden per tooth | \$ 1.78 |





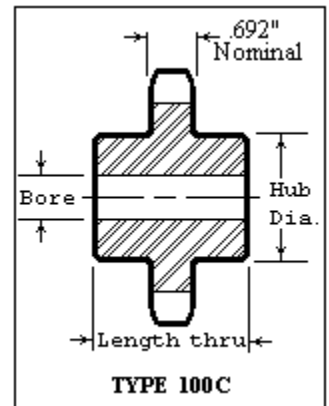
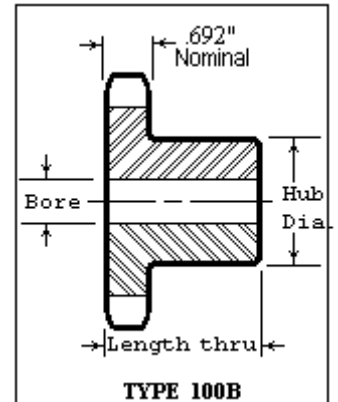
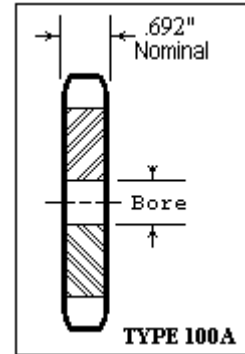
RYLE Manufacturing Company 1-800-433-0960

No. 100 1-1/4" Pitch

Type B & C

Type A

| RYLE P/N | LIST PRICE | NO. TEETH | O.D. TEETH | STOCK BORE | MAX BORE | HUB DIA. | LTB | LBS | RYLE P/N | LIST PRICE | LBS. |
|----------|------------|-----------|------------|------------|----------|----------|-------|------|----------|------------|------|
| 100B8 | 65.20 | 7 | 3.35 | 1 | | | | | 100A7 | 53.40 | 1.2 |
| 100B9 | 88.20 | 8 | 3.77 | 1 | 1-1/4 | 2-7/16* | 1-7/8 | 2.2 | 100A8 | 58.40 | 1.4 |
| 100B10 | 96.80 | 9 | 4.18 | 1 | 1-5/8 | 2-13/16* | | 3.2 | 100A9 | 62.80 | 2.0 |
| 100B11 | 112.40 | 10 | 4.60 | 1 | 1-7/8 | 3-1/4* | | 4.1 | 100A10 | 67.60 | 2.8 |
| 100B12 | 121.40 | 11 | 5.01 | 1 | 2-1/4 | 3-9/16* | | 5.3 | 100A11 | 68.40 | 3.5 |
| 100B13 | 130.60 | 12 | 5.42 | 1 | 2-1/2 | 4* | | 6.5 | 100A12 | 68.40 | 4.2 |
| 100B14 | 130.60 | 13 | 5.82 | 1 | 2-3/8 | 3-7/8 | 1-5/8 | 6.6 | 100A13 | 68.40 | 4.8 |
| 100B15 | 140.80 | 14 | 6.23 | 1-1/4 | 2-3/4 | 4-3/16 | | 7.5 | 100A14 | 70.00 | 5.5 |
| 100B16 | 158.20 | 15 | 6.63 | | 3 | 4-1/2 | 1-3/4 | 9.5 | 100A15 | 72.40 | 5.9 |
| 100B17 | 175.60 | 16 | 7.03 | | | | | 10.2 | 100A16 | 77.60 | 6.8 |
| 100B18 | 193.40 | 17 | 7.44 | | | | | 11.0 | 100A17 | 84.40 | 7.8 |
| 100B19 | 201.00 | 18 | 7.84 | | | | | 12.0 | 100A18 | 89.60 | 8.4 |
| 100B20 | 209.80 | 19 | 8.24 | | | | 2 | 13.3 | 100A19 | 97.40 | 9.5 |
| 100B21 | 222.20 | 20 | 8.64 | | | | | 14.2 | 100A20 | 104.60 | 10.1 |
| 100B22 | 228.00 | 21 | 9.04 | | | | | 15.5 | 100A21 | 114.80 | 11.1 |
| 100B23 | 240.20 | 22 | 9.44 | | | | | 17.0 | 100A22 | 126.40 | 12.6 |
| 100B24 | 247.80 | 23 | 9.84 | | | | | 19.0 | 100A23 | 134.40 | 13.2 |
| 100B24 | 255.60 | 24 | 10.25 | | | | | 21.0 | 100A24 | 143.20 | 14.6 |
| 100B25 | 263.20 | 25 | 10.65 | | | | | 23.0 | 100A25 | 149.40 | 15.3 |
| 100B26 | 274.80 | 26 | 11.05 | | 3-1/4 | 5 | | 26.0 | 100A26 | 154.80 | 16.8 |
| 100B27 | 287.40 | 27 | 11.44 | | | | | 27.0 | 100A27 | 196.80 | 17.8 |
| 100B28 | 300.40 | 28 | 11.84 | | | | | 28.0 | 100A28 | 196.80 | 19.5 |
| 100B29 | 308.60 | 29 | 12.24 | | | | | 29.0 | 100A29 | 197.20 | 21.0 |
| 100B30 | 315.80 | 30 | 12.64 | | | | | 30.0 | 100A30 | 197.20 | 22.0 |
| 100B31 | | 31 | 13.04 | | | | | | 100A31 | 208.80 | 23.0 |
| 100B32 | 338.00 | 32 | 13.44 | | | | | 32 | 100A32 | 224.20 | 25 |
| 100B33 | | 33 | 13.84 | | | | | | 100A33 | 240.20 | 26 |
| 100B34 | | 34 | 14.24 | | | | | | 100A34 | 247.80 | 27 |
| 100B35 | 368.80 | 35 | 14.64 | | | | 2-1/2 | 35 | 100A35 | 263.20 | 29 |
| 100B36 | 380.40 | 36 | 15.04 | | | | | 36 | 100A36 | 282.60 | 30 |
| 100B37 | | 37 | 15.44 | | | | | | 100A37 | 294.20 | 32 |
| 100B38 | | 38 | 15.84 | | | | | | 100A38 | 309.60 | 34 |
| 100B39 | 440.60 | 39 | 16.23 | | | | | 39 | 100A39 | 340.40 | 36 |
| 100B40 | 448.40 | 40 | 16.63 | | | | | 40 | 100A40 | 348.20 | 38 |
| 100B41 | | 41 | 17.03 | | | | | | 100A41 | 363.60 | 40 |
| 100B42 | 495.20 | 42 | 17.43 | | | | | 42 | 100A42 | 371.20 | 43 |
| 100B43 | | 43 | 17.83 | 1-1/2 | | | | | 100A43 | 386.60 | 44 |
| 100B44 | | 44 | 18.23 | | | | | | 100A44 | 417.60 | 46 |
| 100B45 | 531.70 | 45 | 18.63 | | | | | 45 | 100A45 | 433.00 | 48 |
| 100B46 | | 46 | 19.02 | | | | | | 100A46 | 448.40 | 50 |
| 100B47 | | 47 | 19.42 | | | | | | 100A47 | 463.80 | 52 |
| 100B48 | 584.80 | 48 | 19.82 | | 4 | 6 | | 56 | 100A48 | 479.80 | 55 |
| 100B49 | | 49 | 20.22 | | | | | | 100A49 | 518.40 | 57 |
| 100B50 | | 50 | 20.62 | | | | | | 100A50 | 556.80 | 59 |
| 100B51 | | 51 | 21.02 | | | | | | 100A51 | 564.20 | 61 |
| 100B52 | | 52 | 21.42 | | | | | | 100A52 | 564.60 | 63 |
| 100B53 | | 53 | 21.81 | | | | | | 100A53 | 572.40 | 66 |
| 100C54 | 688.00 | 54 | 22.21 | | | | 3-1/4 | 80 | 100A54 | 572.40 | 69 |
| 100C55 | | 55 | 22.61 | | | | | | 100A55 | 587.80 | 72 |
| 100C56 | | 56 | 23.01 | | | | | | 100A56 | 603.20 | 75 |
| 100C57 | | 57 | 23.41 | | | | | | 100A57 | 618.60 | 78 |
| 100C58 | | 58 | 23.81 | | | | | | 100A58 | 634.00 | 81 |
| 100C59 | | 59 | 24.20 | | | | | | 100A59 | 649.40 | 84 |
| 100C60 | 796.60 | 60 | 24.60 | | | | | 95 | 100A60 | 677.40 | 87 |
| 100C70 | 997.60 | 70 | 28.58 | | 5-1/4 | 7 | 3-3/4 | 120 | 100A70 | 855.40 | 113 |
| 100C72 | 1074.80 | 72 | 29.38 | | | | | 128 | 100A72 | 959.00 | 121 |
| 100C76 | 1157.20 | 76 | 30.97 | | | | | 143 | 100A76 | 1060.80 | 133 |
| 100C80 | 1265.80 | 80 | 32.57 | | | | | 160 | 100A80 | 1198.60 | 155 |
| 100C84 | 1299.00 | 84 | 34.16 | | | | | 172 | 100A84 | 1245.00 | 170 |
| 100C90 | 1714.20 | 90 | 36.55 | | | | | 184 | 100A90 | 1584.40 | 193 |
| 100C96 | 1894.40 | 96 | 38.93 | | | | 4-1/2 | 250 | 100A96 | 1762.80 | 223 |
| 100C112 | 2740.00 | 112 | 45.30 | | | | | 326 | 100A112 | 2160.00 | 298 |
| 100C120 | 3050.00 | 120 | 48.48 | | | | | 365 | 100A120 | 2450.00 | 340 |



* Indicates hub diameter is grooved for chain clearance.

Maximum bores will accommodate standard keyway and setscrew over key. Slightly larger bores may be possible with shallow keyway and/or setscrew at 90 degrees. Multiple keyways must be priced at factory.

Split Type A plate \$ 3.78
per inch of sprocket diameter

Rebore \$49.00
Keyway \$13.40
Setscrew (each) \$13.40
Harden per tooth \$ 2.44

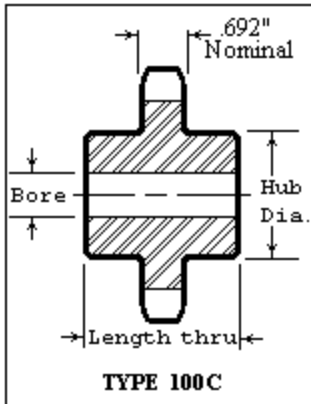
Drill Type A plate (4) holes = \$28.00
(6) holes = \$42.00
(8) holes = \$56.00



RYLE Manufacturing Company 1-800-433-0960

No. 100 1-1/4" Pitch

Type C



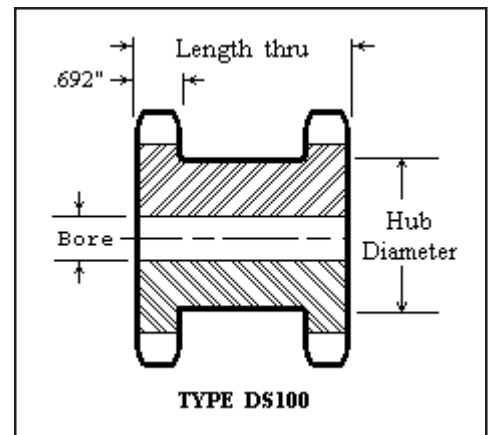
| RYLE P/N | LIST PRICE | NO. TEETH | O.D. TEETH | STOCK BORE | MAX BORE | HUB DIA. | LTB | LBS. |
|----------|------------|-----------|------------|------------|----------|----------|-------|------|
| 100C10 | 242.00 | 10 | 4.60 | 1 | 1-7/8 | 3-9/32 * | 2-7/8 | 6.1 |
| 100C11 | 258.00 | 11 | 5.01 | 1 | 2-1/4 | 3-9/16 * | | 7.1 |
| 100C12 | 284.00 | 12 | 5.42 | 1 | 2-1/2 | 3-37/64 | | 8.4 |
| 100C13 | 323.80 | 13 | 5.82 | 1 | 2-3/8 | 3-15/16 | | 10.0 |
| 100C14 | 347.00 | 14 | 6.23 | 1-1/4 | 2-3/4 | 4-5/16 | | 12.2 |
| 100C15 | 370.00 | 15 | 6.63 | 1-1/4 | 3 | 4-5/8 | 2-7/8 | 13.0 |

* Indicates hub is grooved for chain clearance
Hub projection is centered.

| | |
|------------------|---------|
| Rebore | \$49.00 |
| Keyway | \$13.40 |
| Setscrew (each) | \$13.40 |
| Harden per tooth | \$ 2.44 |

Double-Single

| RYLE P/N | LIST PRICE | TEETH O.D. | STOCK BORE | MAX BORE | LTB | HUB DIA. | LBS |
|----------|------------|------------|------------|----------|---------|----------|------|
| DS100A13 | 337.60 | 5.82 | 1 | 2-1/2 | 2-11/16 | 3-25/32 | 11.2 |
| DS100A14 | 352.00 | 6.23 | 1-1/4 | 2-3/4 | | 4-3/16 | 13.5 |
| DS100A15 | 366.40 | 6.63 | | 3-1/16 | | 4-19/32 | 16.8 |
| DS100A16 | 390.60 | 7.03 | | 3-1/4 | | 5 | 19.3 |
| DS100A17 | 434.00 | 7.44 | | 3-5/8 | | 5-15/32 | 21.5 |
| DS100A18 | 455.60 | 7.84 | | 3-3/4 | | 5-51/64 | 23.0 |
| DS100A19 | 470.20 | 8.24 | | 4-3/16 | | 6-13/64 | 25.0 |
| DS100A20 | 506.20 | 8.64 | | 4-13/16 | | 6-39/64 | 26.5 |
| DS100A21 | 532.80 | 9.04 | 1-1/4 | 5-1/4 | 2-11/16 | 7 | 29.0 |





RYLE Manufacturing Company 1-800-433-0960

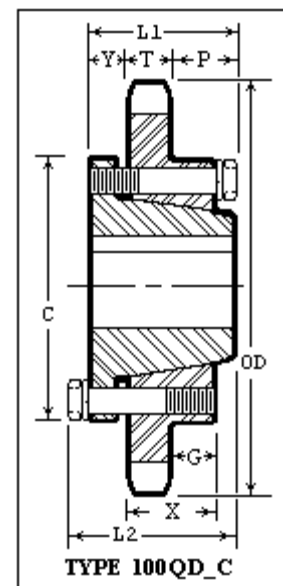
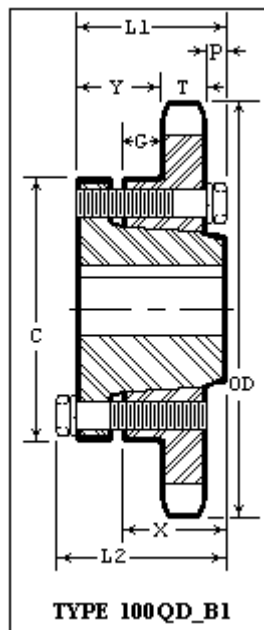
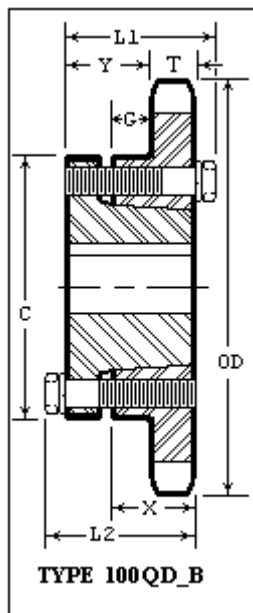
No. 100 1-1/4" Pitch

| RYLE P/N | LIST PRICE | TYPE | O.D. TEETH | MAX BORE | L1 | L2 | C | Y | P | G | X | T | LBS. |
|------------|------------|------|------------|----------|-------|---------|--------|---------|---------|---------|-------|------|------|
| 100QD11SDS | 141.80 | B | 5.01 | 2 | 1-1/2 | 1-1/2 | 3-3/16 | 5/8 | | 1/16 | 3/4 | .692 | 1.6 |
| 100QD12SDS | 166.80 | B | 5.42 | 2 | 1-1/2 | 1-1/2 | 3-3/16 | 5/8 | | 1/16 | 3/4 | | 2.6 |
| 100QD13SK | 178.40 | B | 5.81 | 2-5/8 | 2-1/8 | 2-1/8 | 3-7/8 | 1-13/64 | | 9/16 | 1-1/4 | | 3.0 |
| 100QD14SK | 210.20 | B | 6.23 | 2-5/8 | 2-1/8 | 2-1/8 | 3-7/8 | 1-13/64 | | 9/16 | 1-1/4 | | 4.1 |
| 100QD15SF | 224.20 | B | 6.63 | 2-15/16 | 2-1/4 | 2-1/4 | 4-5/8 | 1-19/64 | | 9/16 | 1-1/4 | .692 | 5.5 |
| 100QD16SF | 229.00 | B | 7.03 | | | | | | | | | | 6.1 |
| 100QD17SF | 236.20 | B | 7.44 | 2-15/16 | 2-1/4 | 2-1/4 | 4-5/8 | 1-19/64 | | 9/16 | 1-1/4 | .692 | 7.0 |
| 100QD18E | 244.80 | B1 | 7.84 | 3-1/2 | 2-5/8 | 2-15/16 | 6 | 1-13/16 | 1/8 | 15/16 | 1-5/8 | .692 | 7.6 |
| 100QD19E | 245.80 | B1 | 8.24 | | | | | | | | | | 10.2 |
| 100QD20E | 250.60 | B1 | 8.64 | | | | | | | | | | 10.6 |
| 100QD21E | 250.60 | B1 | 9.04 | | | | | | | | | | 11.0 |
| 100QD22E | 253.20 | B1 | 9.44 | | | | | | | | | | 11.6 |
| 100QD23E | 255.60 | B1 | 9.84 | | | | | | | | | | 12.0 |
| 100QD24E | 258.00 | B1 | 10.25 | | | | | | | | | | 13.1 |
| 100QD25E | 265.60 | B1 | 10.65 | | | | | | | | | | 14.5 |
| 100QD26E | 275.40 | B1 | 11.05 | | | | | | | | | | 18.1 |
| 100QD27E | 289.40 | B1 | 11.44 | | | | | | | | | | 19.1 |
| 100QD28E | 307.20 | B1 | 11.84 | | | | | | | | | | 20.2 |
| 100QD30E | 330.80 | B1 | 12.64 | | | | | | | | | | 23.3 |
| 100QD32E | 359.60 | B1 | 13.44 | | | | | | | | | | 26.5 |
| 100QD35E | 419.00 | B1 | 14.64 | | | | | | | | | | 30.1 |
| 100QD36E | 436.40 | B1 | 15.04 | | | | | | | | | | 35.0 |
| 100QD40E | 533.20 | B1 | 16.63 | | | | | | | | | | 40.2 |
| 100QD42E | 604.20 | B1 | 17.43 | | | | | | | | | | 46.7 |
| 100QD45E | 629.20 | B1 | 18.63 | | | | | | | | | | 49.0 |
| 100QD48E | 693.80 | B1 | 19.82 | | | | | | | | | | 52.0 |
| 100QD54E | 816.80 | B1 | 22.21 | | | | | | | | | | 56.0 |
| 100QD60E | 909.00 | B1 | 24.60 | 3-1/2 | 2-5/8 | 2-15/16 | 6 | 1-13/16 | 1/8 | 15/16 | 1-5/8 | .692 | 81.0 |
| 100QD70F | 1298.00 | C | 28.58 | 3-15/16 | 3-5/8 | 4 | 6-5/8 | 1 | 1-15/16 | 1-13/16 | 2-1/2 | .692 | 120 |
| 100QD72F | 1376.20 | C | 29.38 | | | | | | | | | | 125 |
| 100QD80F | 1501.00 | C | 32.57 | | | | | | | | | | 145 |
| 100QD84F | 1656.80 | C | 34.16 | 3-15/16 | 3-5/8 | 4 | 6-5/8 | 1 | 1-15/16 | 1-13/16 | 2-1/2 | .692 | 151 |

Harden per tooth\$ 2.44

QD Bushing dimensions and prices page 10

| RYLE P/N | LIST PRICE |
|-------------|------------|
| 100QD11HSDS | 168.80 |
| 100QD12HSDS | 196.20 |
| 100QD13HSK | 205.00 |
| 100QD14HSK | 245.00 |
| 100QD15HSF | 261.80 |
| 100QD16HSF | 283.00 |
| 100QD17HSF | 298.40 |
| 100QD018HE | 303.80 |
| 100QD19HE | 306.20 |
| 100QD20HE | 308.60 |
| 100QD21HE | 308.60 |
| 100QD22HE | 311.00 |
| 100QD23HE | 313.40 |
| 100QD24HE | 315.80 |
| 100QD25HE | 328.40 |
| 100QD26HE | 340.00 |
| 100QD27HE | 356.40 |
| 100QD28HE | 376.60 |
| 100QD30HE | 405.60 |



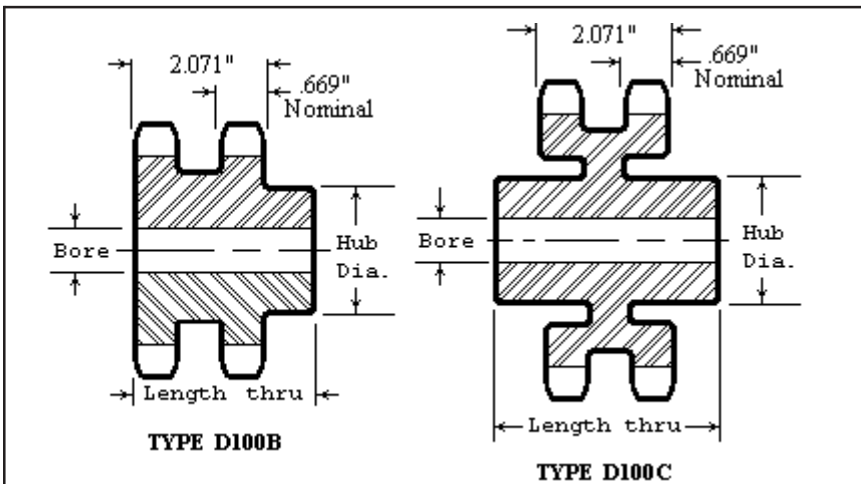
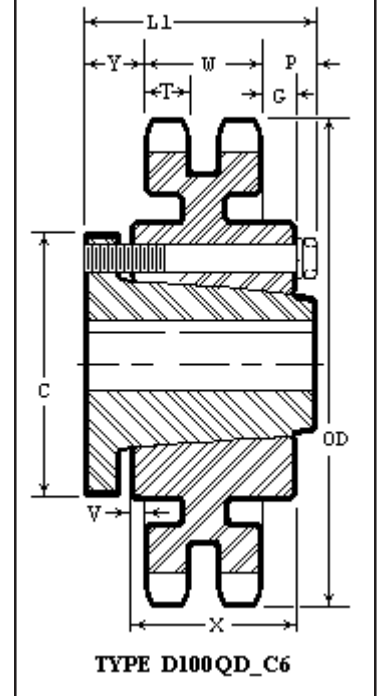
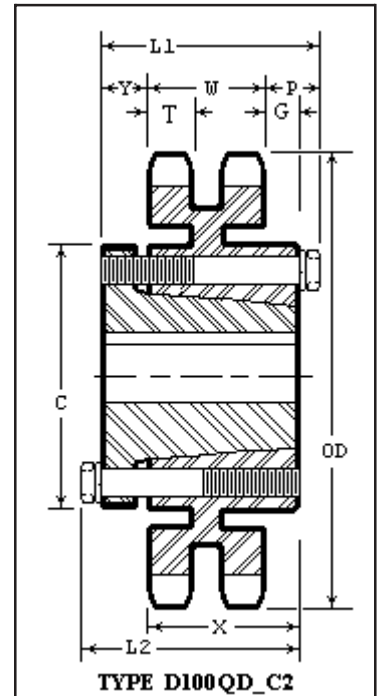


RYLE Manufacturing Company 1-800-433-0960

No. 100-2 Double Strand 1-1/4" Pitch

| RYLE P/N | LIST PRICE | NO. TEETH | O.D. TEETH | STOCK BORE | MAX BORE | HUB DIA. | LTB | LBS |
|----------|------------|-----------|------------|------------|----------|----------|-------|------|
| D100B9 | 216.60 | 9 | 4.18 | 1 | 1-7/8 | 2-13/16* | 3-1/8 | 3.0 |
| D100B10 | 232.00 | 10 | 4.60 | 1 | 2-1/8 | 3-1/4* | | 5.0 |
| D100B11 | 253.60 | 11 | 5.01 | 1 | 2-1/4 | 3-9/16* | | 7.1 |
| D100B12 | 276.80 | 12 | 5.42 | 1 | 2-1/2 | 4* | | 9.2 |
| D100B13 | 303.20 | 13 | 5.82 | 1 | 2-1/2 | 3-7/8 | 2-7/8 | 11.2 |
| D100B14 | 331.20 | 14 | 6.23 | 1 | 2-3/4 | 4-1/8 | | 13.6 |
| D100B15 | 363.60 | 15 | 6.63 | 1-1/4 | 3-1/8 | 4-5/8 | 3-1/8 | 16.1 |
| D100B16 | 391.60 | 16 | 7.03 | | 3-3/8 | 5 | | 19.1 |
| D100B17 | 421.00 | 17 | 7.44 | | 3-1/2 | 5-1/4 | | 22.0 |
| D100B18 | 516.80 | 18 | 7.84 | | | | | 24.8 |
| D100B19 | 581.40 | 19 | 8.24 | | 3-3/4 | 5-1/2 | 3-3/8 | 27.5 |
| D100B20 | 637.40 | 20 | 8.64 | | | | | 32.5 |
| D100B21 | 693.20 | 21 | 9.04 | | | | | 37 |
| D100B22 | 704.40 | 22 | 9.44 | | | | | 42 |
| D100B23 | 731.00 | 23 | 9.84 | | | | | 47 |
| D100B24 | 737.80 | 24 | 10.25 | | | 5-3/4 | | 52 |
| D100B25 | 814.80 | 25 | 10.65 | | | | | 57 |
| D100B26 | 859.60 | 26 | 11.05 | 1-1/2 | 3-7/8 | | 3-3/8 | 62 |
| D100B28 | 967.40 | 28 | 11.84 | | | | | 65 |
| D100B30 | 1075.20 | 30 | 12.64 | | | | | 80 |
| D100C35 | 1210.20 | 35 | 14.64 | 1-1/2 | 4 | 6 | 4-1/4 | 68 |
| D100C45 | 1579.20 | 45 | 18.63 | | | | | 125 |
| D100C60 | 2333.80 | 60 | 24.60 | 2 | 5-3/8 | 7-1/2 | 5 | 162 |
| D100C70 | 3447.60 | 70 | 28.58 | | | | | 187 |
| D100C80 | 4158.80 | 80 | 32.57 | | | | | 216 |

* Indicates hub is grooved for chain clearance



| | |
|------------------|---------|
| Rebore | \$49.00 |
| Keyway | \$13.40 |
| Setscrew (each) | \$13.40 |
| Harden per tooth | \$ 2.44 |

| RYLE P/N | LIST PRICE | O.D. TEETH | MAX BORE | TYPE MOUNT | DIMENSIONS | | | | | | | | | | | LBS. |
|-----------|------------|------------|----------|------------|------------|----|-------|--------|---------|--------|------|--------|------|-------|-----|------|
| | | | | | L1 | L2 | C | Y | P | G | V | X | T | W | | |
| D100QD35F | 1224.80 | 14.64 | 3-15/16 | C2 | 3-5/8 | 4 | 6-5/8 | 1 | 35/64 | 27/64 | | 2-1/2 | .670 | 2.071 | 82 | |
| D100QD45F | 1733.40 | 18.63 | | C2 | 3-5/8 | 4 | 6-5/8 | 1 | 35/64 | 27/64 | | 2-1/2 | .670 | 2.071 | 108 | |
| D100QD60J | 2449.40 | 24.60 | 4-7/16 | C6 | 3-1/2 | 5 | 7-1/4 | 1-7/32 | 1-13/64 | 1-3/32 | 1/32 | 3-3/16 | .670 | 2.071 | 146 | |
| D100QD70J | 3818.80 | 28.58 | | C6 | | | | | | | | | | | 195 | |
| D100QD80J | 4537.20 | 32.57 | 4-7/16 | C6 | 3-1/2 | 5 | 7-1/4 | 1-7/32 | 1-13/64 | 1-3/32 | 1/32 | 3-3/16 | .670 | 2.071 | 237 | |



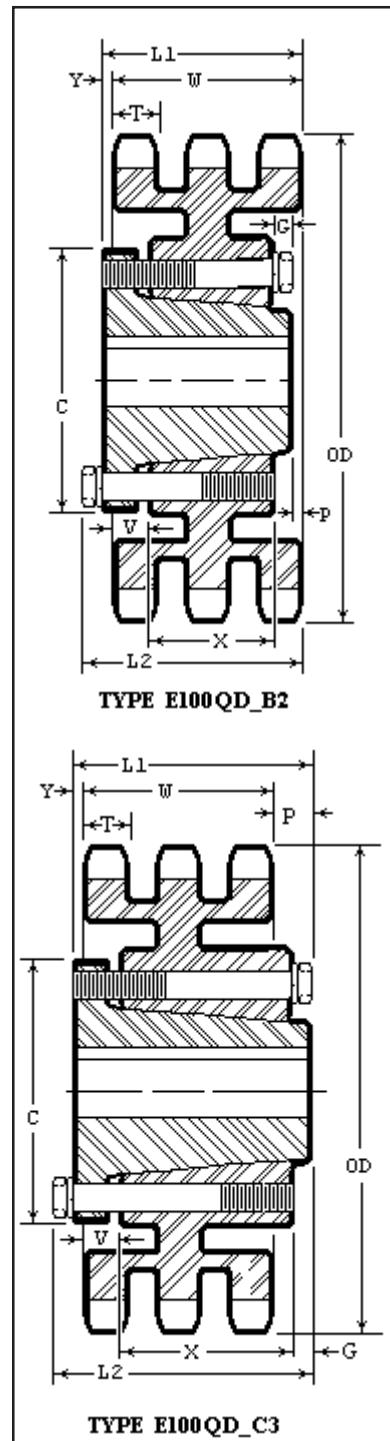
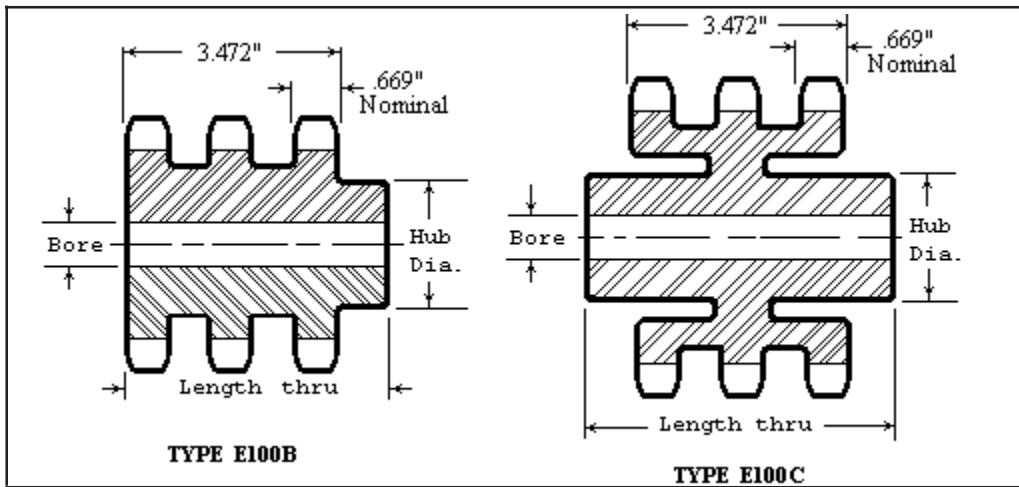
RYLE Manufacturing Company 1-800-433-0960

No. 100-3 Triple Strand 1-1/4" Pitch

| RYLE P/N | LIST PRICE | NO. TEETH | O.D. TEETH | STOCK BORE | MAX BORE | HUB DIA. | LTB | LBS |
|----------|------------|-----------|------------|------------|----------|----------|-------|------|
| E100B11 | 344.80 | 11 | 5.01 | 1 | 2-1/4 | 3-9/16 * | 4-1/2 | 10.6 |
| E100B12 | 368.40 | 12 | 5.42 | 1 | 2-1/2 | 4 * | | 13.6 |
| E100B13 | 403.60 | 13 | 5.82 | 1 | 2-1/2 | 3-7/8 | | 19.9 |
| E100B14 | 456.20 | 14 | 6.23 | 1 | 2-3/4 | 4-1/8 | | 21.0 |
| E100B15 | 504.40 | 15 | 6.63 | 1-1/4 | 3-1/8 | 4-5/8 | | 29.3 |
| E100B16 | 535.20 | 16 | 7.03 | | 3-3/8 | 5 | | 27.6 |
| E100B17 | 569.40 | 17 | 7.44 | | 3-1/2 | 5-1/4 | | 32.0 |
| E100B18 | 781.00 | 18 | 7.84 | | | | 4-3/4 | 36.3 |
| E100B19 | 903.20 | 19 | 8.24 | | 3-3/4 | 5-1/2 | | 40.6 |
| E100B20 | 1019.40 | 20 | 8.64 | | | | | 46.0 |
| E100B21 | 1133.60 | 21 | 9.04 | | | | | 52 |
| E100B22 | 1191.00 | 22 | 9.44 | | | | | 58 |
| E100B23 | 1237.20 | 23 | 9.84 | | | | | 64 |
| E100B24 | 1268.20 | 24 | 10.25 | | | 5-3/4 | | 70 |
| E100B25 | 1317.80 | 25 | 10.65 | | | | | 76 |
| E100B26 | 1345.20 | 26 | 11.05 | 1-1/2 | 3-7/8 | | | 82 |
| E100B28 | 1500.30 | 28 | 11.84 | | | | | 100 |
| E100B30 | 1663.40 | 30 | 12.64 | | | | | 110 |
| E100C35 | 1875.60 | 35 | 14.64 | 1-1/2 | 4 | 6 | 5 | 130 |
| E100C45 | 2565.20 | 45 | 18.63 | | 4-1/4 | 6-1/2 | | 155 |
| E100C60 | 3821.20 | 60 | 24.60 | 2 | 5-3/8 | 7-1/2 | | 190 |
| E100C70 | 4532.40 | 70 | 28.58 | | | | | 210 |
| E100C80 | 5511.20 | 80 | 32.57 | | | | | 246 |

| | |
|------------------|---------|
| Rebore | \$49.00 |
| Keyway | \$13.40 |
| Setscrew (each) | \$13.40 |
| Harden per tooth | \$ 2.44 |

* Indicates hub is grooved for chain clearance



| RYLE P/N | LIST PRICE | O.D. TEETH | MAX BORE | TYPE MOUNT | DIMENSIONS | | | | | | | | | | LBS |
|-----------|------------|------------|----------|------------|------------|---------|-------|-----|-------|-----|-------|--------|------|-------|-----|
| | | | | | L1 | L2 | C | Y | P | G | V | X | T | W | |
| E100QD35F | 1998.60 | 14.64 | 3-15/16 | B2 | 3-3/64 | 4-23/64 | 6-5/8 | 1/2 | 23/64 | 1/8 | 1/2 | 2-1/2 | .654 | 3.472 | 72 |
| E100QD45F | 2799.00 | 18.63 | | B2 | | | | | | | | | | | 140 |
| E100QD60J | 4166.60 | 24.60 | 4-7/16 | C3 | 4-1/2 | 5 | 7-1/4 | 1/2 | 33/64 | 3/8 | 11/16 | 3-3/16 | .654 | 3.472 | 173 |
| E100QD70J | 4973.60 | 28.58 | | C3 | | | | | | | | | | | 220 |
| E100QD80J | 6109.00 | 32.57 | 4-7/16 | C3 | 4-1/2 | 5 | 7-1/4 | 1/2 | 33/64 | 3/8 | 11/16 | 3-3/16 | .654 | 3.472 | 275 |

Harden per tooth\$ 2.44
 QD Bushing dimensions and prices page 8

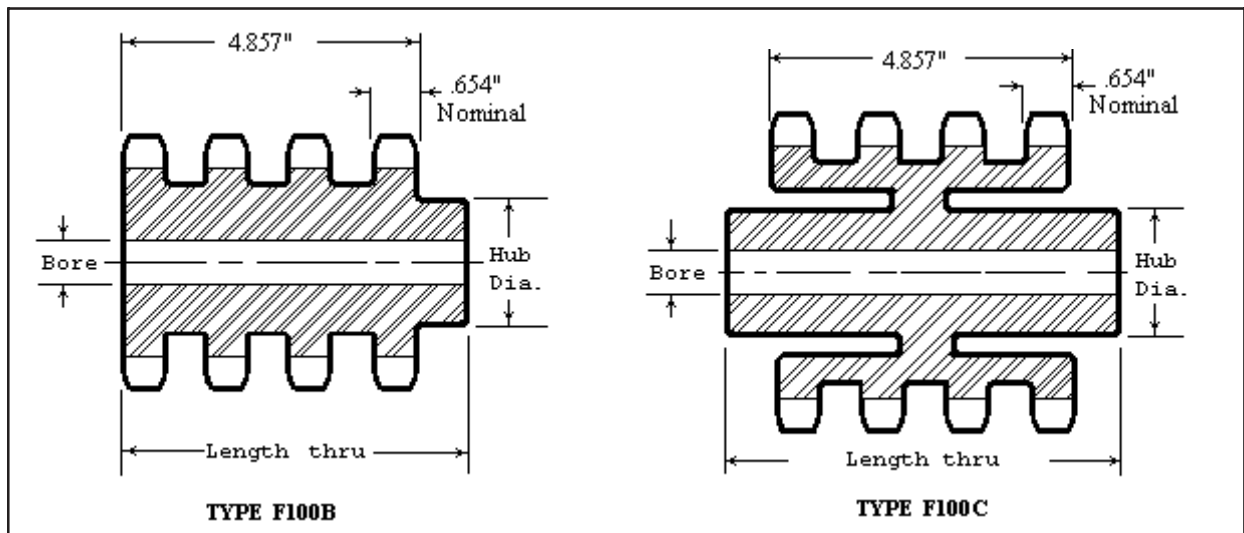


RYLE Manufacturing Company 1-800-433-0960

No.100-4 Quadruple Strand 1-1/4" Pitch

| RYLE P/N | LIST PRICE | NO. TEETH | O.D. TEETH | STOCK BORE | MAX BORE | HUB DIA. | LTB | LBS |
|----------|------------|-----------|------------|------------|----------|----------|-------|-----|
| F100B12H | 660.00 | 12 | 5.42 | 1-1/4 | 2-1/4 | 3-7/16 | 6 | |
| F100B13H | 720.00 | 13 | 5.82 | | 2-1/2 | 3-7/8 | | 24 |
| F100B14H | 790.00 | 14 | 6.23 | | 2-3/4 | 4-1/8 | | 27 |
| F100B15H | 846.00 | 15 | 6.63 | | 3-1/8 | 4-5/8 | | 32 |
| F100B16H | 922.00 | 16 | 7.03 | 1-1/2 | 3-3/8 | 5 | | 38 |
| F100B17H | 1030.00 | 17 | 7.44 | | 3-5/8 | 5-1/2 | | 44 |
| F100B18H | 1140.00 | 18 | 7.84 | | | | | 51 |
| F100B19H | 1240.00 | 19 | 8.24 | | | | | 55 |
| F100B20H | 1290.00 | 20 | 8.64 | | | 6-1/4 | | 62 |
| F100B21H | 1410.00 | 21 | 9.04 | | | | | 66 |
| F100B22H | 1450.00 | 22 | 9.44 | | | | | 71 |
| F100B23H | 1620.00 | 23 | 9.84 | | | | | 77 |
| F100B24H | 1830.00 | 24 | 10.25 | 2 | 4 | | 6-1/4 | 87 |
| F100B25H | 1940.00 | 25 | 10.65 | | | | | 93 |
| F100B26H | 2020.00 | 26 | 11.05 | | | | | 110 |
| F100B27H | 2200.00 | 27 | 13.73 | | | | | 118 |
| F100B28H | 2300.00 | 28 | 11.84 | | | | | 125 |
| F100B30H | 2756.00 | 30 | 12.64 | | | | | 140 |
| F100B32 | 2940.70 | 32 | 13.44 | | | | | 160 |
| F100B35 | 3264.00 | 35 | 14.64 | | | | | 193 |
| F100B40 | 4040.00 | 40 | 16.63 | | 4-1/2 | 6-1/2 | | 210 |
| F100C45 | 4420.00 | 45 | 18.63 | | | | 6-1/2 | 147 |
| F100C60 | 5680.00 | 60 | 24.60 | | | | | 200 |
| F100C70 | 6206.00 | 70 | 28.52 | | 5-3/8 | 7-1/2 | | 240 |
| F100C80 | 7520.00 | 80 | 32.57 | | | | | 350 |

| | |
|------------------|---------|
| Rebore | \$49.00 |
| Keyway | \$13.40 |
| Setscrew (each) | \$13.40 |
| Harden per tooth | \$ 2.44 |





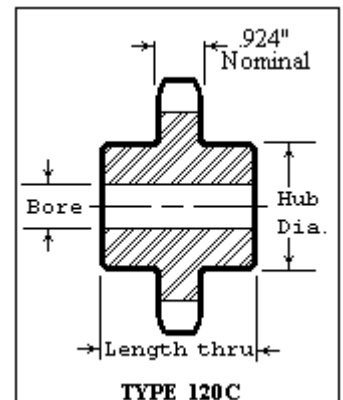
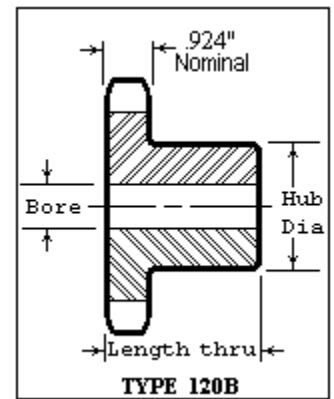
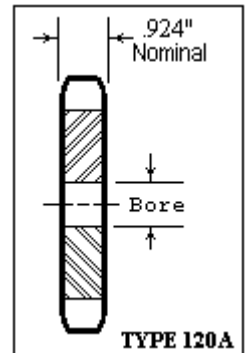
RYLE Manufacturing Company 1-800-433-0960

No. 120 1-1/2" Pitch

Type B & C

Type A

| RYLE P/N | LIST PRICE | NO. TEETH | O.D. TEETH | STOCK BORE | MAX BORE | HUB DIA. | LTB | LBS. | RYLE P/N | LIST PRICE | LBS. |
|----------|------------|-----------|------------|------------|----------|----------|-------|------|----------|------------|------|
| 120B9 | 162.40 | 8 | 4.52 | 1-1/4 | | | | | 120A8 | 124.00 | 3.3 |
| 120B10 | 178.00 | 9 | 5.02 | | 1-13/16 | 3-3/8 * | 2-1/4 | 5.3 | 120A9 | 124.80 | 3.9 |
| 120B11 | 196.80 | 10 | 5.52 | | 2-1/4 | 3-7/8 * | | 7.1 | 120A10 | 130.20 | 4.5 |
| 120B12 | 222.80 | 11 | 6.01 | | 2-3/8 | 3-9/16 | 2-1/8 | 7.8 | 120A11 | 140.40 | 5.8 |
| 120B13 | 249.40 | 12 | 6.50 | | 2-3/4 | 4-1/8 | | 10.0 | 120A12 | 148.60 | 6.9 |
| | | 13 | 6.99 | | 3 | 4-9/16 | 2-1/4 | 12.8 | 120A13 | 157.20 | 8.2 |
| 120B14 | 274.80 | 14 | 7.47 | | 3-1/4 | 4-3/4 | 2-3/8 | 14.2 | 120A14 | 166.40 | 9.1 |
| 120B15 | 301.80 | 15 | 7.96 | | | | | 17.8 | 120A15 | 178.00 | 10.0 |
| 120B16 | 324.00 | 16 | 8.44 | | 3-1/2 | 5-1/4 | | 18.5 | 120A16 | 185.60 | 11.5 |
| 120B17 | 346.60 | 17 | 8.92 | | | | | 20.8 | 120A17 | 197.20 | 13.1 |
| 120B18 | 366.40 | 18 | 9.41 | | | | | 22.0 | 120A18 | 208.80 | 14.6 |
| 120B19 | 385.20 | 19 | 9.89 | | | | | 25.0 | 120A19 | 220.40 | 16.2 |
| 120B20 | 400.60 | 20 | 10.37 | | | | | 26.5 | 120A20 | 232.00 | 18.0 |
| 120B21 | 422.40 | 21 | 10.85 | | | | | 29.0 | 120A21 | 244.00 | 20.5 |
| 120B22 | 446.60 | 22 | 11.33 | | | | | 31.5 | 120A22 | 259.40 | 23.0 |
| 120B23 | 470.20 | 23 | 11.81 | | | | | 34.0 | 120A23 | 274.80 | 25.6 |
| 120B24 | 485.60 | 24 | 12.29 | | | | | 36.2 | 120A24 | 290.20 | 27.7 |
| 120B25 | 501.00 | 25 | 12.77 | | | | | 38.3 | 120A25 | 300.80 | 29.8 |
| 120B26 | 510.60 | 26 | 13.25 | 1-1/2 | 4 | 6 | 2-1/2 | 46.0 | 120A26 | 321.20 | 32.0 |
| 120B27 | | 27 | 13.73 | | | | | | 120A27 | 363.60 | 35.0 |
| 120B28 | 549.20 | 28 | 14.21 | | | | | 52.0 | 120A28 | 371.20 | 38.0 |
| 120B29 | | 29 | 14.69 | | | | | 54.0 | 120A29 | 374.10 | 39.5 |
| 120B30 | 587.80 | 30 | 15.17 | | | | | 56.5 | 120A30 | 386.60 | 42.5 |
| 120B31 | | 31 | 15.65 | | | | | 59.5 | 120A31 | 463.80 | 46.5 |
| 120B32 | 626.40 | 32 | 16.13 | | | | | 61.0 | 120A32 | 463.80 | 48.5 |
| 120B33 | | 33 | 16.61 | | | | | | 120A33 | 479.80 | 50.0 |
| 120B34 | | 34 | 17.09 | | | | | | 120A34 | 495.20 | 52.0 |
| 120B35 | 664.80 | 35 | 17.57 | | | | | 70.0 | 120A35 | 495.20 | 55.0 |
| 120B36 | 688.00 | 36 | 18.05 | | | | | 74.0 | 120A36 | 514.40 | 58.5 |
| 120C40 | 773.40 | 40 | 19.96 | | | | 3 | 92.0 | 120A40 | 599.40 | 76.0 |
| 120C42 | 850.60 | 42 | 20.92 | | | | | 100 | 120A42 | 696.20 | 83.5 |
| 120C45 | 893.00 | 45 | 22.35 | | | | | 107 | 120A45 | 727.20 | 96.5 |
| 120C48 | 966.80 | 48 | 23.79 | | | | 4 | 120 | 120A48 | 773.40 | 110 |
| 120C54 | 1098.00 | 54 | 26.65 | | | | | 137 | 120A54 | 1005.40 | 127 |
| 120C60 | 1367.00 | 60 | 29.52 | | 5-1/4 | 7 | | 175 | 120A60 | 1205.40 | 165 |
| 120C70 | 1743.00 | 70 | 34.30 | 2 | 5-3/8 | 7-1/2 | 4-1/2 | 235 | 120A70 | 1639.40 | 225 |
| 120C80 | 2124.00 | 80 | 39.08 | | | | | 300 | 120A80 | 2037.20 | 290 |
| 120C90 | | 90 | 43.85 | | | | | | 120A90 | 2847.20 | 360 |



* Indicates hub diameter is grooved for chain clearance.

Maximum bores will accommodate standard keyway and setscrew over key. Slightly larger bores may be possible with shallow keyway and/or setscrew at 90 degrees. Multiple keyways must be priced at factory.

Split Type A plate \$ 4.08
per inch of sprocket diameter

Rebore \$49.00
Keyway \$13.40
Setscrew (each) \$13.40
Harden per tooth \$ 3.06
Drill Type A plate (4) holes = \$28.00
(6) holes = \$42.00
(8) holes = \$56.00

| RYLE P/N | LIST PRICE | NO. TEETH | O.D. TEETH | STOCK BORE | MAX BORE | HUB DIA | LTB | LBS |
|----------|------------|-----------|------------|------------|----------|---------|-------|------|
| 120C11 | 412.00 | 11 | 6.01 | 1-1/4 | 2-3/8 | 3-9/16 | 3-3/8 | 12.5 |
| 120C12 | 462.00 | 12 | 6.50 | | 2-3/4 | 4-1/4 | | 14.8 |
| 120C13 | 534.00 | 13 | 6.99 | | 3 | 4-5/8 | | 17.2 |
| 120C14 | 540.00 | 14 | 7.47 | | 3-1/4 | 5-1/8 | | 19.5 |

Hub projection is centered



RYLE Manufacturing Company 1-800-433-0960

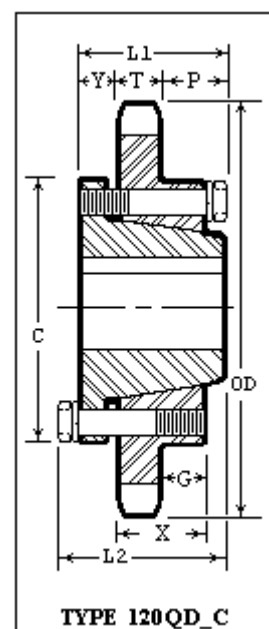
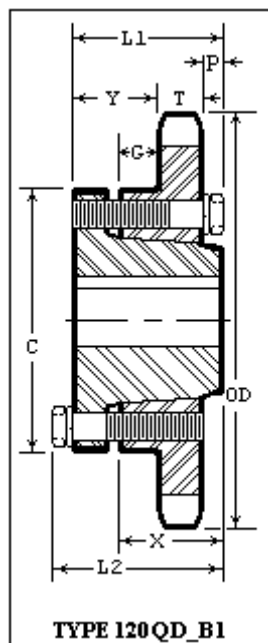
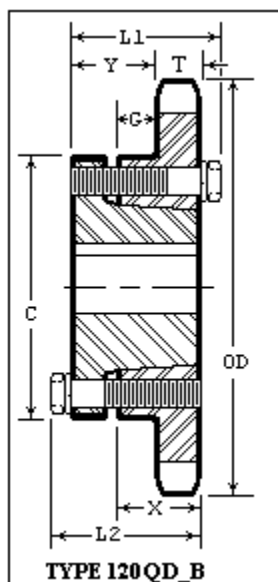
No. 120 1-1/2" Pitch

| RYLE P/N | LIST PRICE | TYPE MOUNT | O.D. TEETH | MAX BORE | DIMENSIONS | | | | | | | | LBS | |
|-----------|------------|------------|------------|----------|------------|---------|-------|--------|---------|---------|--------|-------|------|------|
| | | | | | L1 | L2 | C | Y | P | G | X | T | | |
| 120QD12SF | 265.20 | B | 6.50 | 2-15/16 | 2-1/4 | 2-1/4 | 4-5/8 | 1-5/64 | | | 21/64 | 1-1/4 | .924 | 5.1 |
| 120QD13SF | 302.80 | B | 6.99 | | | | | | | | | | | 5.8 |
| 120QD14SF | 333.20 | B | 7.47 | | | | | | | | | | | 7.0 |
| 120QD15SF | 370.40 | B | 7.96 | 2-15/16 | 2-1/4 | 2-1/4 | 4-5/8 | 1-5/64 | | | 21/64 | 1-1/4 | .924 | 9.0 |
| 120QD16E | 373.80 | B1 | 8.44 | 3-1/2 | 2-5/8 | 2-15/16 | 6 | 1-9/16 | 1/8 | | 45/64 | 1-5/8 | .924 | 11.1 |
| 120QD17E | 383.40 | B1 | 8.92 | | | | | | | | | | | 12.3 |
| 120QD18E | 389.20 | B1 | 9.41 | | | | | | | | | | | 14.6 |
| 120QD19E | 419.00 | B1 | 9.89 | | | | | | | | | | | 16.0 |
| 120QD20E | 453.20 | B1 | 10.37 | | | | | | | | | | | 17.5 |
| 120QD21E | 472.60 | B1 | 10.85 | | | | | | | | | | | 19.3 |
| 120QD22E | 486.00 | B1 | 11.33 | | | | | | | | | | | 21.4 |
| 120QD23E | 500.00 | B1 | 11.81 | | | | | | | | | | | 23.6 |
| 120QD24E | 508.60 | B1 | 12.29 | | | | | | | | | | | 25.9 |
| 120QD25E | 538.60 | B1 | 12.77 | | | | | | | | | | | 27.0 |
| 120QD26E | 576.20 | B1 | 13.25 | | | | | | | | | | | 29.8 |
| 120QD28E | 623.40 | B1 | 14.21 | | | | | | | | | | | 36.0 |
| 120QD30E | 673.20 | B1 | 15.17 | 3-1/2 | 2-5/8 | 2-15/16 | 6 | 1-9/16 | 1/8 | | 45/64 | 1-5/8 | .924 | 40.0 |
| 120QD32F | 699.20 | C | 16.13 | 3-15/16 | 3-5/8 | 4 | 6-5/8 | 1 | 1-11/16 | 1-37/64 | 2-1/2 | .924 | 50.0 | |
| 120QD35F | 736.20 | C | 17.57 | | | | | | | | | | | 60.0 |
| 120QD36F | 759.00 | C | 18.05 | | | | | | | | | | | 70.0 |
| 120QD40F | 806.60 | C | 19.96 | | | | | | | | | | | 80 |
| 120QD42F | 860.20 | C | 20.92 | | | | | | | | | | | 95 |
| 120QD45F | 943.20 | C | 22.35 | | | | | | | | | | | 100 |
| 120QD48F | 1113.40 | C | 23.79 | | | | | | | | | | | 110 |
| 120QD54F | 1266.60 | C | 26.65 | 3-15/16 | 3-5/8 | 4 | 6-5/8 | 1 | 1-11/16 | 1-37/64 | 2-1/2 | .924 | 120 | |
| 120QD60J | 1434.40 | C | 29.52 | 4-7/16 | 4-1/2 | 5 | 7-1/4 | 1-3/16 | 2-5/16 | 2-17/64 | 3-3/16 | .924 | 135 | |
| 120QD70J | 1790.80 | C | 34.30 | | | | | | | | | | | 183 |
| 120QD80J | 2250.40 | C | 39.08 | 4-7/16 | 4-1/2 | 5 | 7-1/4 | 1-3/16 | 2-5/16 | 2-17/64 | 3-3/16 | .924 | 250 | |

Harden per tooth\$ 3.06

QD Bushing dimensions and prices page 10

| RYLE P/N | LIST PRICE |
|------------|------------|
| 120QD12HSF | 302.80 |
| 120QD13HSF | 343.40 |
| 120QD14HSF | 376.60 |
| 120QD15HSF | 417.60 |
| 120QD16HE | 424.40 |
| 120QD17HE | 429.20 |
| 120QD18HE | 444.40 |
| 120QD19HE | 478.20 |
| 120QD20HE | 498.60 |
| 120QD21HE | 522.20 |
| 120QD22HE | 555.00 |
| 120QD23HE | 572.40 |
| 120QD24HE | 583.80 |
| 120QD25HE | 616.60 |
| 120QD26HE | 657.20 |
| 120QD28HE | 711.20 |
| 120QD30HE | 766.60 |



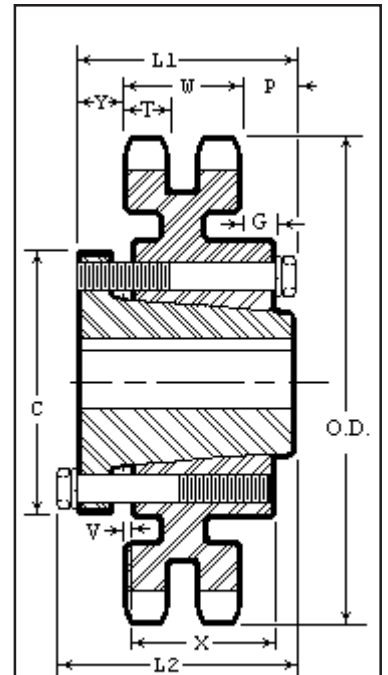


RYLE Manufacturing Company 1-800-433-0960

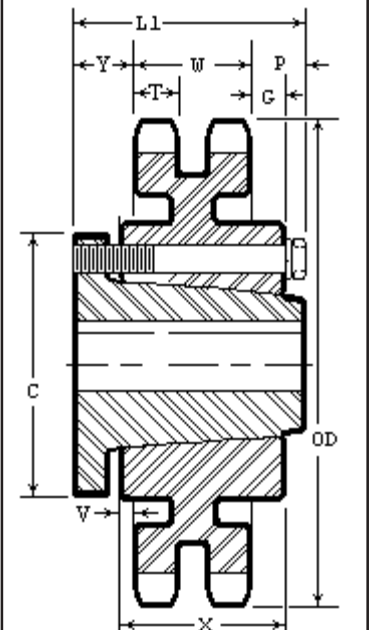
No. 120 Double Strand 1-1/2" Pitch

| RYLE P/N | LIST PRICE | NO. TEETH | O.D. TEETH | STOCK BORE | MAX BORE | HUB DIA. | LTB | LBS |
|----------|------------|-----------|------------|------------|----------|----------|-------|-----|
| D120B11 | 603.20 | 11 | 6.01 | 1-1/2 | 2-3/8 | 3-9/16 | 3-3/4 | 20 |
| D120B12 | 635.20 | 12 | 6.50 | | 2-3/4 | 4-1/16 | | 23 |
| D120B13 | 680.40 | 13 | 6.99 | | 3 | 4-1/2 | | 27 |
| D120B14 | 727.20 | 14 | 7.47 | | 3-1/4 | 5 | | 32 |
| D120B15 | 758.00 | 15 | 7.96 | | 3-1/2 | 5-1/4 | | 38 |
| D120B16 | 788.80 | 16 | 8.44 | | | | | 42 |
| D120B17 | 835.20 | 17 | 8.92 | | | | | 46 |
| D120B18 | 912.20 | 18 | 9.41 | | | | | 50 |
| D120B19 | 974.40 | 19 | 9.89 | | | | | 55 |
| D120B20 | 1020.80 | 20 | 10.37 | | | | | 60 |
| D120B21 | 1082.40 | 21 | 10.85 | | | | | 66 |
| D120B22 | 1160.00 | 22 | 11.33 | | 3-3/4 | 5-3/4 | 4 | 75 |
| D120B23 | 1299.00 | 23 | 11.81 | | 4-1/4 | 6-1/4 | | 81 |
| D120B24 | 1329.80 | 24 | 12.29 | | | | | 85 |
| D120B25 | 1392.00 | 25 | 12.77 | | | | | 90 |
| D120B26 | 1407.40 | 26 | 13.25 | | | | | 95 |
| D120B28 | 1500.00 | 28 | 14.21 | | | | | 104 |
| D120B30 | 1540.60 | 30 | 15.17 | | | | | 115 |
| D120B32 | 1760.00 | 32 | 16.13 | | | | | 125 |
| D120C35 | 1793.60 | 35 | 17.57 | 2 | 5-3/8 | 7-1/2 | 6 | 147 |
| D120C36 | 2060.80 | 36 | 18.05 | | | | | 150 |
| D120C40 | 2420.60 | 40 | 19.96 | | | | | 160 |
| D120C45 | 1952.80 | 45 | 22.35 | | | | | 190 |
| D120C54 | 3260.00 | 54 | 26.65 | | | | | 210 |
| D120C60 | 3358.20 | 60 | 29.52 | | 6-1/2 | 9-1/2 | 6-1/4 | 300 |
| D120C70 | 5820.00 | 70 | 34.30 | | | | | 320 |
| D120C80 | 6624.90 | 80 | 39.08 | | | | | 360 |

Rebore \$49.00
 Keyway \$13.40
 Setscrew (each) \$13.40
 Harden per tooth \$ 3.06

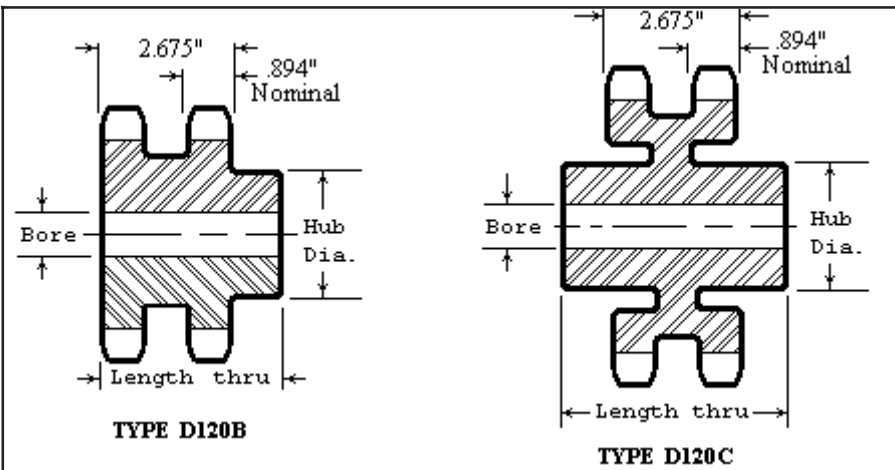


TYPE D120QD_C5



TYPE D120QD_C6

Maximum bores will accommodate standard keyway and setscrew over key.
 Slightly larger bores may be possible with shallow keyway and/or setscrew at 90 degrees.
 Multiple keyways must be priced at factory.



TYPE D120B

TYPE D120C

| RYLE P/N | LIST PRICE | O.D. TEETH | MAX BORE | TYPE MOUNT | L1 | L2 | DIMENSIONS | | | | | | | LBS. | |
|-----------|------------|------------|----------|------------|-------|-------|------------|--------|---------|---------|-------|--------|------|-------|-----|
| | | | | | | | C | Y | P | G | V | X | T | W | |
| D120QD30J | 1670.60 | 15.17 | 4-7/16 | C5 | 4-1/2 | 5 | 7-1/4 | 1-1/32 | 25/32 | 21/32 | 5/32 | 3-3/16 | .894 | 2.675 | 54 |
| D120QD35J | 1878.00 | 17.57 | | C5 | | | | | | | | | | | 91 |
| D120QD45J | 2051.60 | 22.35 | 4-7/16 | C5 | 4-1/2 | 5 | 7-1/4 | 1-1/32 | 25/32 | 21/32 | 5/32 | 3-3/16 | .894 | 2.675 | 162 |
| D120QD60M | 3524.60 | 29.52 | 5-1/2 | C6 | 6-3/4 | 6-3/4 | 9 | 2-9/32 | 1-25/32 | 1-21/32 | 27/32 | 5-3/16 | .894 | 2.675 | 255 |

Harden per tooth\$ 3.06
 QD Bushing dimensions and prices page 10



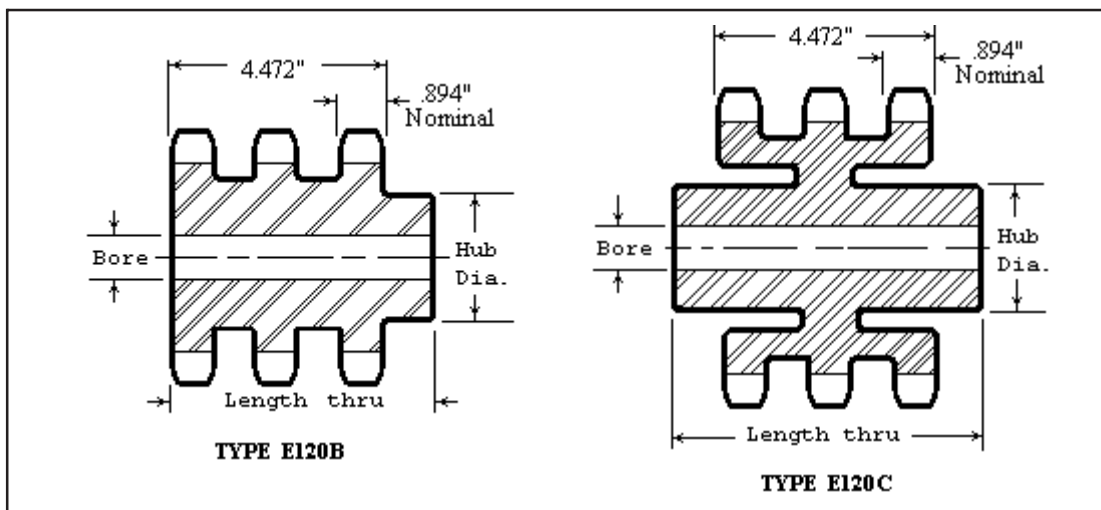
RYLE Manufacturing Company 1-800-433-0960

No. 120 Triple Strand 1-1/2" Pitch

| RYLE P/N | LIST PRICE | NO. TEETH | O.D. TEETH | STOCK BORE | MAX BORE | HUB DIA. | LTB | LBS. |
|----------|------------|-----------|------------|------------|----------|----------|-------|------|
| E120B11H | 904.80 | 11 | 6.01 | 1-1/2 | 2-3/8 | 3-3/4 | 5-1/2 | 24 |
| E120B12H | 951.00 | 12 | 6.50 | | 2-3/4 | 4-1/4 | | 29 |
| E120B13H | 1020.60 | 13 | 6.99 | | 3 | 4-3/4 | 5-3/4 | 31 |
| E120B14H | 1090.80 | 14 | 7.47 | | 3-1/4 | 5 | | 38 |
| E120B15H | 1137.00 | 15 | 7.96 | | 3-1/2 | 5-1/2 | | 45 |
| E120B16H | 1183.20 | 16 | 8.44 | | | 6 | | 52 |
| E120B17H | 1252.80 | 17 | 8.92 | | | | 5-7/8 | 66 |
| E120B18H | 1468.30 | 18 | 9.41 | | | | | 70 |
| E120B19H | 1661.60 | 19 | 9.89 | | | | | 78 |
| E120B20H | 1831.20 | 20 | 10.37 | | | | | 86 |
| E120B21H | 1923.60 | 21 | 10.85 | | | | | 95 |
| E120B22H | 2100.00 | 22 | 11.33 | | 3-3/4 | | | 102 |
| E120B23H | 2200.00 | 23 | 11.81 | | 4-3/4 | 6-1/2 | | 111 |
| E120B24H | 2380.00 | 24 | 12.29 | | | | | 120 |
| E120B25H | 2520.00 | 25 | 12.77 | | | | | 132 |
| E120B26H | 2900.00 | 26 | 13.25 | | | | | 140 |
| E120B28H | 3340.00 | 28 | 14.21 | | | | | 165 |
| E120B30H | 3580.00 | 30 | 15.17 | | | | | 191 |
| E120B32H | 3920.00 | 32 | 16.13 | | | | | 218 |
| E120B35 | 4200.00 | 35 | 17.57 | 2 | 5-3/8 | 7-1/2 | 5-7/8 | 260 |
| E120B36 | 4380.00 | 36 | 18.05 | | | | | 270 |
| E120B40 | 5403.80 | 40 | 19.96 | | | | | 320 |
| E120C45 | 5089.20 | 45 | 22.35 | | | | 6-3/8 | 175 |
| E120C54 | 5835.60 | 54 | 26.65 | | | | | 230 |
| E120C60 | 6437.30 | 60 | 29.52 | | 6-1/2 | 9-1/2 | | 300 |

Maximum bores will accommodate standard keyway and setscrew over key. Slightly larger bores may be possible with shallow keyway and/or setscrew at 90 degrees. Multiple keyways must be priced at factory.

| | |
|------------------|---------|
| Rebore | \$49.00 |
| Keyway | \$13.40 |
| Setscrew (each) | \$13.40 |
| Harden per tooth | \$ 3.06 |





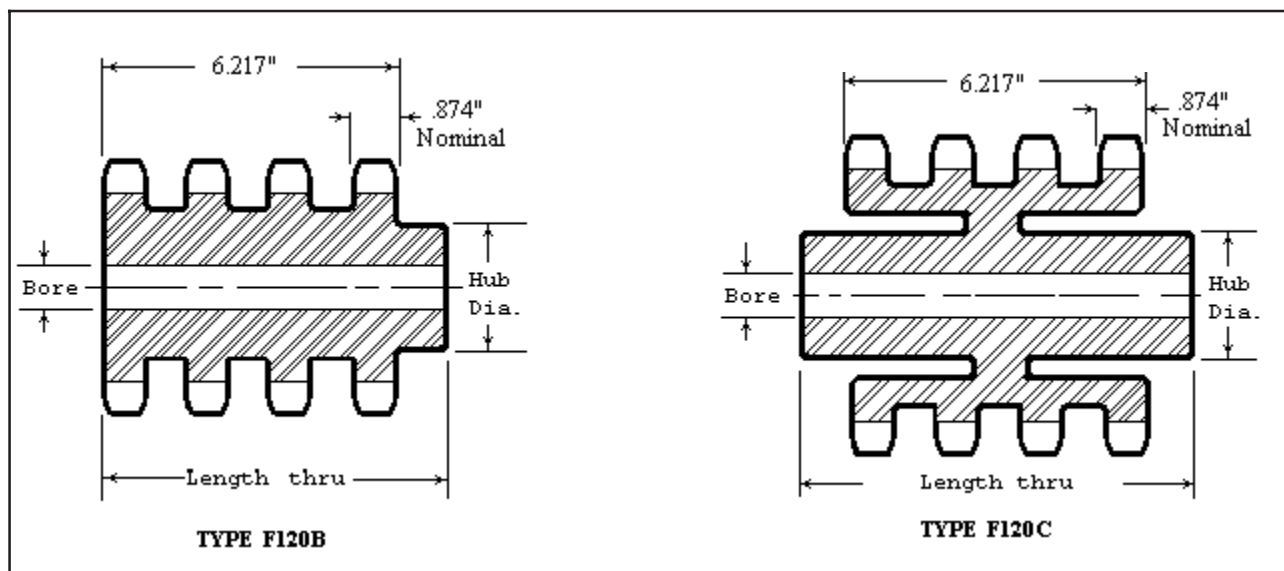
RYLE Manufacturing Company 1-800-433-0960

No. 120 Quadruple Strand 1-1/2" Pitch

| RYLE P/N | LIST PRICE | NO. TEETH | O.D. TEETH | STOCK BORE | MAX BORE | HUB DIA. | LTB | LBS. |
|----------|------------|-----------|------------|------------|----------|----------|-------|------|
| F120B12H | 1450.00 | 12 | 6.50 | 1-1/2 | 2-3/4 | 4-1/4 | 7-3/8 | 29 |
| F120B13H | 1565.10 | 13 | 6.99 | | 3 | 4-3/4 | | 31 |
| F120B14H | 1688.90 | 14 | 7.47 | | 3-1/4 | 5 | | 38 |
| F120B15H | 1852.20 | 15 | 7.96 | | 3-3/4 | 5-1/2 | | 44 |
| F120B16H | 1978.60 | 16 | 8.44 | | | | | 52 |
| F120B17H | 2018.80 | 17 | 8.92 | | | | 7-3/4 | 66 |
| F120B18H | 2203.20 | 18 | 9.41 | | | | | 70 |
| F120B19H | 2354.00 | 19 | 9.89 | | 4-3/8 | 6 | | 78 |
| F120B20H | 2420.20 | 20 | 10.37 | | | | | 86 |
| F120B21H | 2480.70 | 21 | 10.85 | | | | | 95 |
| F120B22H | 2510.80 | 22 | 11.33 | | | | | 102 |
| F120B23H | 2520.40 | 23 | 11.81 | | 5-1/4 | 7 | | 111 |
| F120B24H | 2530.00 | 24 | 12.29 | | | | | 120 |
| F120B25H | 2630.00 | 25 | 12.77 | | | | | 132 |
| F120B26H | 2760.00 | 26 | 13.25 | 2 | 5-1/2 | 8 | | 140 |
| F120B27H | 2860.00 | 27 | 13.73 | | | | | 150 |
| F120B28H | 2950.00 | 28 | 14.21 | | | | | 165 |
| F120B30H | 3160.00 | 30 | 15.17 | | | | | 191 |
| F120B32H | 3896.80 | 32 | 16.13 | | | | | 218 |
| F120B35 | 6195.00 | 35 | 17.57 | | | | 8 | 250 |
| F120B36 | 6486.40 | 36 | 18.05 | | | | | 260 |
| F120C40 | 7010.20 | 40 | 19.96 | | | | | 158 |
| F120C45 | 7881.20 | 45 | 22.35 | | | | | 175 |
| F120C54 | 8797.60 | 54 | 26.65 | | | | 8-1/4 | 230 |
| F120C60 | 10140.60 | 60 | 29.52 | | 6-1/2 | 9-1/2 | | 300 |

Maximum bores will accommodate standard keyway and setscrew over key. Slightly larger bores may be possible with shallow keyway and/or setscrew at 90 degrees.
Multiple keyways must be priced at factory.

| | |
|------------------|---------|
| Rebore | \$49.00 |
| Keyway | \$13.40 |
| Setscrew (each) | \$13.40 |
| Harden per tooth | \$ 3.06 |





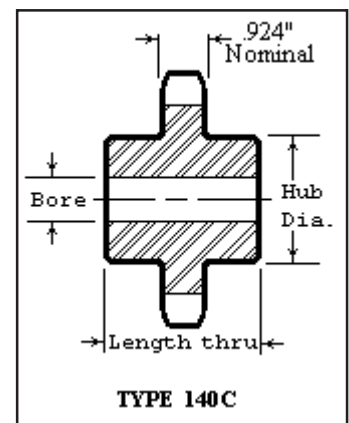
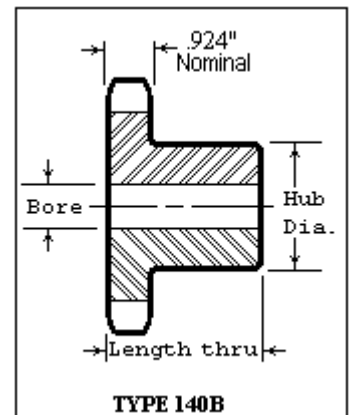
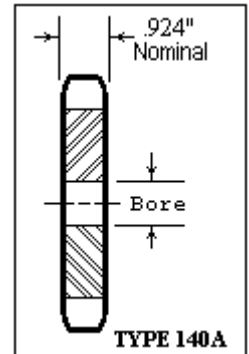
RYLE Manufacturing Company 1-800-433-0960

No. 140 1-3/4" Pitch

Type B & C

Type A

| RYLE P/N | LIST PRICE | NO. TEETH | O.D. TEETH | STOCK BORE | MAX BORE | HUB DIA. | LTB | LBS. | RYLE P/N | LIST PRICE | LBS. |
|----------|------------|-----------|------------|------------|----------|----------|-------|------|----------|------------|------|
| 140B10 | 275.40 | 10 | 6.43 | 1-1/2 | 2-3/8 | 3-27/32 | 2-1/4 | 11 | 140A10 | 156.00 | 6 |
| 140B11 | 298.00 | 11 | 7.01 | | 2-3/4 | 4-1/4 | | 13 | 140A11 | 160.00 | 8 |
| 140B12 | 330.40 | 12 | 7.58 | | 3 | 4-1/2 | | 15 | 140A12 | 170.20 | 9 |
| 140B13 | 363.60 | 13 | 8.15 | | 3-3/4 | 5-1/2 | 2-3/8 | 16 | 140A13 | 184.20 | 10 |
| 140B14 | 395.80 | 14 | 8.72 | | 4 | 6 | | 19 | 140A14 | 199.60 | 12 |
| 140B15 | 427.60 | 15 | 9.28 | | 4-1/4 | 6 | 2-1/2 | 22 | 140A15 | 213.60 | 13 |
| 140B16 | 444.60 | 16 | 9.85 | | 4-1/2 | 6-1/2 | | 25 | 140A16 | 228.00 | 15 |
| 140B17 | 463.80 | 17 | 10.41 | | | | | 28 | 140A17 | 244.00 | 18 |
| 140B18 | 479.80 | 18 | 10.98 | | | | | 30 | 140A18 | 259.40 | 20 |
| 140B19 | 510.60 | 19 | 11.54 | | | | | 32 | 140A19 | 278.60 | 22 |
| 140B20 | 533.80 | 20 | 12.10 | | | | | 34 | 140A20 | 294.20 | 25 |
| 140B21 | 545.80 | 21 | 12.66 | | | | | 37 | 140A21 | 312.40 | 28 |
| 140B22 | 559.40 | 22 | 13.22 | | | | | 40 | 140A22 | 336.60 | 30 |
| 140B23 | 573.80 | 23 | 13.78 | | | | | 44 | 140A23 | 359.60 | 33 |
| 140B24 | 590.60 | 24 | 14.34 | | | | | 47 | 140A24 | 382.80 | 36 |
| 140B25 | 607.60 | 25 | 14.90 | | | | | 51 | 140A25 | 393.00 | 39 |
| 140B26 | 624.40 | 26 | 15.46 | | | | 3 | 60 | 140A26 | 413.20 | 42 |
| 140B27 | 643.80 | 27 | 16.02 | | | | | 63 | 140A27 | 448.40 | 45 |
| 140B28 | 657.20 | 28 | 16.58 | | | | | 67 | 140A28 | 479.80 | 49 |
| 140B29 | 680.40 | 29 | 17.41 | | | | | 73 | 140A29 | 492.80 | 52 |
| 140B30 | 680.40 | 30 | 17.70 | | | | | 73 | 140A30 | 505.80 | 55 |
| 140B31 | 711.80 | 31 | 18.26 | | | | | 80 | 140A31 | 556.80 | 59 |
| 140B32 | 711.80 | 32 | 18.82 | | | | | 80 | 140A32 | 603.20 | 62 |
| 140B33 | 711.80 | 33 | 19.37 | | | | | 80 | 140A33 | 622.00 | 66 |
| 140B34 | 711.80 | 34 | 19.93 | | | | | 80 | 140A34 | 630.00 | 78 |
| 140C35 | 839.00 | 35 | 20.49 | | 5-1/4 | 7 | 4 | 84 | 140A35 | 631.20 | 81 |
| 140C36 | 954.40 | 36 | 21.05 | | | | | 110 | 140A36 | 657.20 | 84 |
| 140C40 | 1074.80 | 40 | 23.29 | | | | | 135 | 140A40 | 781.00 | 105 |
| 140C42 | 1074.80 | 42 | 24.40 | | | | | 135 | 140A42 | 820.00 | 110 |
| 140C45 | 1121.00 | 45 | 26.08 | 2 | | | | 170 | 140A45 | 974.40 | 130 |
| 140C48 | 1412.80 | 48 | 27.75 | | | | | 180 | 140A48 | 1113.80 | 150 |
| 140C50 | 1412.80 | 50 | 28.86 | | | | | 225 | 140A50 | 1209.40 | 164 |
| 140C54 | 1706.80 | 54 | 31.10 | | | | | 225 | 140A54 | 1400.60 | 195 |
| 140C60 | 1834.60 | 60 | 34.44 | | | | 5 | 267 | 140A60 | 1699.60 | 232 |
| 140C66 | 1834.60 | 66 | 37.79 | | | | | 267 | 140A66 | 1978.00 | 290 |
| 140C68 | 1834.60 | 68 | 38.90 | | | | | 267 | 140A68 | 2110.40 | 298 |
| 140C70 | 2439.80 | 70 | 40.20 | | 5-1/2 | 7-1/2 | | 350 | 140A70 | 2213.20 | 315 |
| 140C80 | 3016.00 | 80 | 45.59 | | | | | 450 | 140A80 | 2753.20 | 415 |
| 140C84 | 3915.00 | 84 | 47.82 | | | | | 485 | 140A84 | 3267.00 | 431 |
| 140C96 | 4984.90 | 96 | 54.50 | | | | | 630 | 140A96 | 4178.00 | 560 |



Maximum bores will accommodate standard keyway and setscrew over key. Slightly larger bore may be possible with shallow keyway and/or setscrew at 90 degrees. Multiple keyways must be priced at factory.

| | |
|-------------------------------|---------------------|
| Split Type A plate | \$ 4.08 |
| per inch of sprocket diameter | |
| Rebore | \$49.00 |
| Keyway | \$13.40 |
| Setscrew (each) | \$13.40 |
| Harden per tooth | \$ 3.34 |
| Drill Type A plate | (4) holes = \$28.00 |
| | (6) holes = \$42.00 |
| | (8) holes = \$56.00 |



RYLE Manufacturing Company 1-800-433-0960

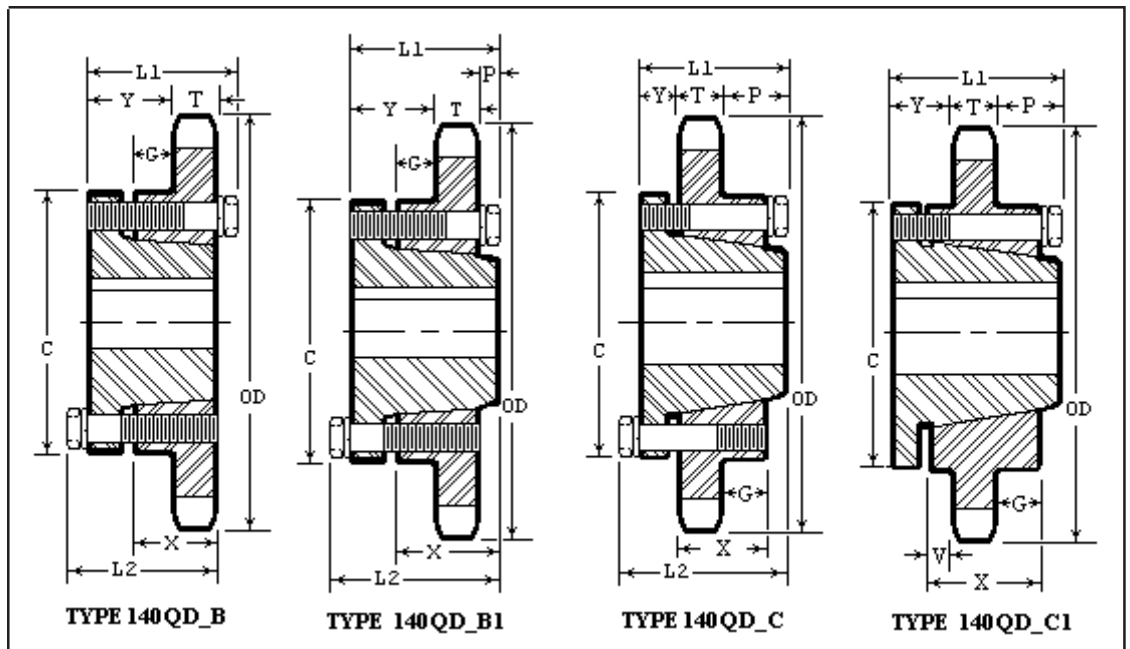
No. 140 1-3/4" Pitch

| RYLE P/N | LIST PRICE | TYPE MOUNT | O.D. TEETH | MAX BORE | L1 | L2 | C | Y | P | G | X | T | V | LBS |
|-----------|------------|------------|------------|----------|-------|---------|-------|---------|---------|---------|--------|------|---------|-----|
| 140QD11SF | 321.60 | B | 7.01 | 2-15/16 | 2-1/4 | 2-1/4 | 4-5/8 | 1-5/64 | | 21/64 | 1-1/4 | .924 | | 7 |
| 140QD12SF | 384.80 | B | 7.58 | | | | | | | | | | | 8 |
| 140QD13SF | 403.60 | B | 8.15 | 2-15/16 | 2-1/4 | 2-1/4 | 4-5/8 | 1-5/64 | | 21/64 | 1-1/4 | .924 | | 9 |
| 140QD14E | 419.00 | B1 | 8.72 | 3-1/2 | 2-5/8 | 2-15/16 | 6 | 1-9/16 | 1/8 | 45/64 | 1-5/8 | .924 | | 13 |
| 140QD15E | 441.80 | B1 | 9.28 | | | | | | | | | | | 14 |
| 140QD16E | 471.60 | B1 | 9.85 | | | | | | | | | | | 16 |
| 140QD17E | 494.20 | B1 | 10.41 | | | | | | | | | | | 18 |
| 140QD18E | 516.40 | B1 | 10.98 | | | | | | | | | | | 20 |
| 140QD19E | 545.40 | B1 | 11.54 | | | | | | | | | | | 22 |
| 140QD20E | 607.60 | B1 | 12.10 | | | | | | | | | | | 25 |
| 140QD21E | 617.20 | B1 | 12.66 | | | | | | | | | | | 27 |
| 140QD22E | 641.40 | B1 | 13.22 | 3-1/2 | 2-5/8 | 2-15/16 | 6 | 1-9/16 | 1/8 | 45/64 | 1-5/8 | .924 | | 29 |
| 140QD23F | 646.20 | B1 | 13.78 | 3-15/16 | 3-5/8 | 4 | 6-5/8 | 2-9/16 | 1/8 | 1-37/64 | 2-1/2 | .924 | | 38 |
| 140QD24F | 663.00 | B1 | 24.14 | | | | | | | | | | | 41 |
| 140QD25F | 679.80 | B1 | 25.14 | | | | | | | | | | | 44 |
| 140QD26F | 699.20 | B1 | 15.46 | | | | | | | | | | | 46 |
| 140QD30F | 826.00 | B1 | 17.70 | 3-15/16 | 3-5/8 | 4 | 6-5/8 | 2-9/16 | 1/8 | 1-37/64 | 2-1/2 | .924 | | 70 |
| 140QD35F | 1005.80 | C | 20.49 | 3-15/16 | 3-5/8 | 4 | 6-5/8 | 1 | 1-11/16 | 1-37/64 | 2-1/2 | .924 | | 82 |
| 140QD36F | 1065.20 | C | 21.05 | 3-15/16 | 3-5/8 | 4 | 6-5/8 | 1 | 1-11/16 | 1-37/64 | 2-1/2 | .924 | | 85 |
| 140QD40J | 1115.20 | C | 23.29 | 4-7/16 | 4-1/2 | 5 | 7-1/4 | 1-3/16 | 2-3/8 | 2-17/64 | 3-3/16 | .924 | | 98 |
| 140QD45J | 1309.60 | C | 26.08 | | | | | | | | | | | 120 |
| 140QD48J | 1446.30 | C | 27.75 | | | | | | | | | | | 130 |
| 140QD54J | 1791.20 | C | 31.10 | | | | | | | | | | | 150 |
| 140QD60J | 1877.60 | C | 34.44 | 4-7/16 | 4-1/2 | 5 | 7-1/4 | 1-3/16 | 2-3/8 | 2-17/64 | 3-3/16 | .924 | | 190 |
| 140QD70M | 2560.40 | C1 | 40.02 | 5-1/2 | 6-3/4 | 6-3/4 | 9 | 2-29/32 | 2-29/32 | 2-17/32 | 5-3/16 | .924 | 1-13/32 | 290 |
| 140QD80M | 3233.00 | C1 | 45.59 | 5-1/2 | 6-3/4 | 6-3/4 | 9 | 2-29/32 | 2-29/32 | 2-17/32 | 5-3/16 | .924 | 1-13/32 | 372 |

Harden per tooth\$ 3.34

QD Bushing dimensions and prices page 10

| RYLE P/N | LIST PRICE |
|------------|------------|
| 140QD11HSF | 358.80 |
| 140QD12HSF | 425.20 |
| 140QD13HSF | 448.00 |
| 140QD14HE | 466.80 |
| 140QD15HE | 493.20 |
| 140QD16HE | 526.00 |
| 140QD17HE | 551.60 |
| 140QD18HE | 578.60 |
| 140QD19HE | 610.40 |
| 140QD20HE | 679.80 |
| 140QD21HE | 694.40 |
| 140QD22HE | 720.80 |
| 140QD23HF | 730.40 |
| 140QD24HF | 749.80 |
| 140QD25HF | 771.40 |
| 140QD26HF | 793.20 |
| 140QD30HF | 933.00 |



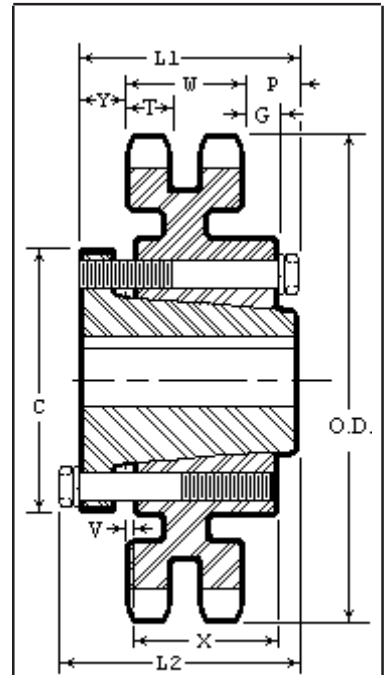


RYLE Manufacturing Company 1-800-433-0960

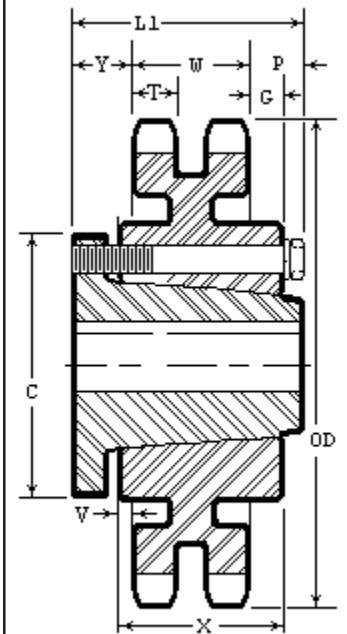
No. 140-2 Double Strand 1-3/4" Pitch

| RYLE P/N | LIST PRICE | NO. TEETH | O.D. TEETH | STOCK BORE | MAX BORE | HUB DIA. | LTB | LBS. |
|----------|------------|-----------|------------|------------|----------|----------|-------|------|
| D140B11 | 681.60 | 11 | 7.01 | 1-1/2 | 2-3/4 | 4-1/4 | 3-3/4 | 18 |
| D140B12 | 700.00 | 12 | 7.58 | | 3 | 4-1/2 | | 22 |
| D140B13 | 711.80 | 13 | 8.15 | | 3-5/16 | 5 | | 30 |
| D140B14 | 758.00 | 14 | 8.72 | | 3-3/4 | 6 | | 36 |
| D140B15 | 912.20 | 15 | 9.28 | | 4-1/2 | 6-1/2 | | 40 |
| D140B16 | 974.40 | 16 | 9.85 | | 5-1/4 | 7 | 4 | 62 |
| D140B17 | 1020.80 | 17 | 10.41 | | | | | 75 |
| D140B18 | 1144.20 | 18 | 10.98 | | | | | 80 |
| D140B19 | 1206.40 | 19 | 11.54 | | | | | 83 |
| D140B20 | 1314.00 | 20 | 12.10 | | | | | 88 |
| D140B21 | 1424.80 | 21 | 12.66 | | | | | 95 |
| D140B22 | 1444.20 | 22 | 13.22 | | | | | 133 |
| D140B23 | 1487.60 | 23 | 13.78 | | | | | 143 |
| D140B24 | 1571.80 | 24 | 14.34 | | | | | 153 |
| D140B25 | 1612.80 | 25 | 14.90 | | | | | 163 |
| D140B26 | 1656.20 | 26 | 15.46 | | | | | 173 |
| D140B30 | 2111.00 | 30 | 17.70 | | 5-3/8 | 7-1/2 | 4 | 180 |
| D140B32 | 2138.40 | 32 | 18.82 | | | | | 185 |
| D140C35 | 2092.60 | 35 | 20.49 | 2 | | | 6 | 207 |
| D140C40 | 3288.00 | 40 | 23.29 | | | | | 210 |
| D140C45 | 2799.00 | 45 | 26.08 | | | | | 170 |
| D140C54 | 4636.90 | 54 | 31.10 | | | | | 264 |
| D140C60 | 3818.80 | 60 | 34.44 | | 6-1/2 | 9-1/2 | 6-1/4 | 267 |
| D140C70 | 7265.20 | 70 | 40.20 | | | | | 330 |

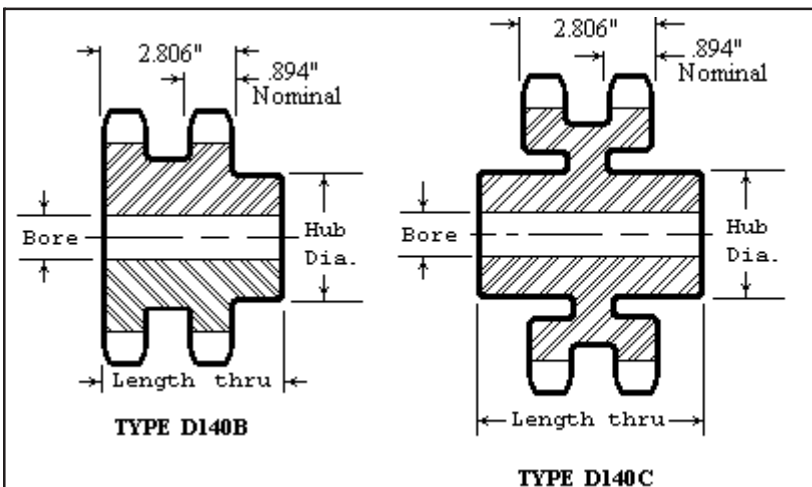
Maximum bores will accommodate standard keyway and setscrew over key. Slightly larger bores may be possible with shallow keyway and/or setscrew at 90 degrees. Multiple keyways must be priced at factory.



TYPE D140QD_C5



TYPE D140QD_C6



| | |
|------------------|---------|
| Rebore | \$49.00 |
| Keyway | \$13.40 |
| Setscrew (each) | \$13.40 |
| Harden per tooth | \$ 3.34 |

| RYLE P/N | LIST PRICE | O.D. TEETH | MAX BORE | TYPE MOUNT | DIMENSIONS | | | | | | | | | | | LBS. |
|-----------|------------|------------|----------|------------|------------|-------|-------|---------|---------|---------|-------|--------|------|-------|-----|------|
| | | | | | L1 | L2 | C | Y | P | G | V | X | T | W | | |
| D140QD35J | 2343.40 | 20.49 | 4-7/16 | C5 | 4-1/2 | 5 | 7-1/4 | 31/32 | 23/32 | 19/32 | 7/32 | 3-3/16 | .894 | 2.806 | 183 | |
| D140QD45J | 3271.60 | 26.08 | | C5 | | | | | | | | | | | 244 | |
| D140QD60M | 4252.80 | 34.44 | 6-3/4 | C6 | 6-3/4 | 6-3/4 | 9 | 2-27/32 | 1-23/32 | 1-19/32 | 25/32 | 5-3/16 | .894 | 2.806 | 391 | |



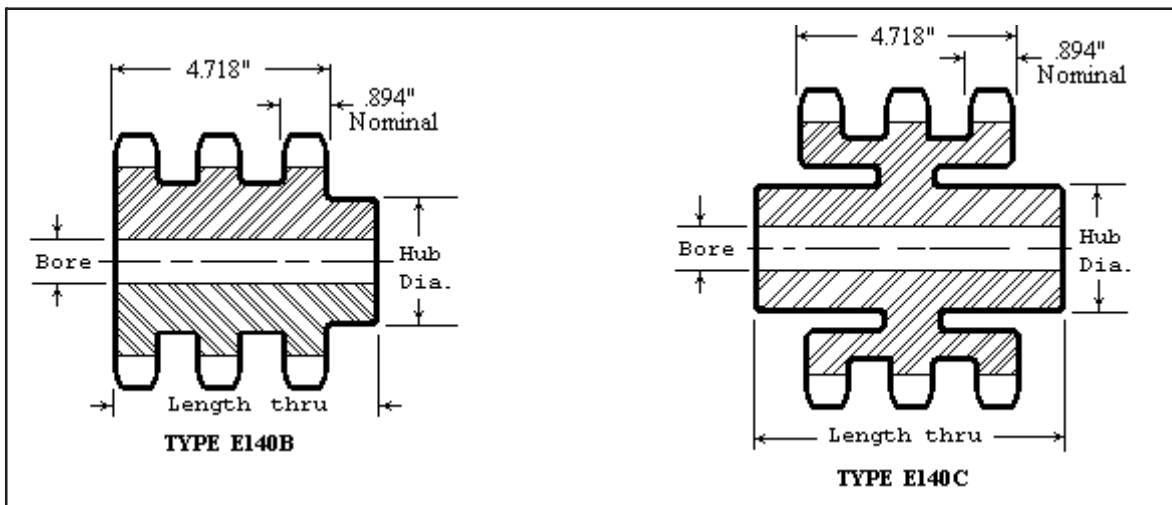
RYLE Manufacturing Company 1-800-433-0960

No. 140-3 Triple Strand 1-3/4" Pitch

| RYLE P/N | LIST PRICE | NO. TEETH | O.D. TEETH | STOCK BORE | MAX BORE | HUB DIA. | LTB | LBS. |
|----------|------------|-----------|------------|------------|----------|----------|-------|------|
| E140B11 | 1022.40 | 11 | 7.01 | 1-1/2 | 2-3/4 | 4-1/4 | 5-3/4 | 39 |
| E140B12 | 1050.00 | 12 | 7.58 | | 3 | 4-1/2 | | 45 |
| E140B13 | 1228.70 | 13 | 8.15 | | 3-5/16 | 5 | | 52 |
| E140B14 | 1562.00 | 14 | 8.72 | | 3-3/4 | 6 | | 58 |
| E140B15 | 1720.00 | 15 | 9.28 | | 4-1/2 | 6-1/2 | | 66 |
| E140B16 | 1804.70 | 16 | 9.85 | | | | | 74 |
| E140B17 | 2120.00 | 17 | 10.41 | 2 | 5-1/4 | 7 | 6-3/8 | 80 |
| E140B18 | 2250.10 | 18 | 10.98 | | | | | 95 |
| E140B19 | 2372.30 | 19 | 11.54 | | | | | 108 |
| E140B20 | 2454.60 | 20 | 12.10 | | | | | 120 |
| E140B21 | 2653.20 | 21 | 12.66 | | | | | 130 |
| E140B22 | 3120.00 | 22 | 13.22 | | | | | 145 |
| E140B23 | 3367.10 | 23 | 13.78 | | | | | 158 |
| E140B24 | 3487.80 | 24 | 14.34 | | | | | 172 |
| E140B25 | 3660.00 | 25 | 14.90 | | | | | 180 |
| E140B26 | 3924.00 | 26 | 15.46 | | | | | 198 |
| E140C35 | 5324.00 | 35 | 20.49 | 2 | 5-1/2 | 8 | 6-1/2 | 170 |
| E140C40 | 6564.40 | 40 | 23.29 | | | | | 215 |
| E140C45 | 7260.00 | 45 | 26.08 | | | | | 265 |
| E140C60 | 9360.00 | 60 | 34.44 | | | | | 410 |

Maximum bores will accommodate standard keyway and setscrew over key. Slightly larger bores may be possible with shallow keyway and/or setscrew at 90 degrees.
Multiple keyways must be priced at factory.

| | |
|------------------|---------|
| Rebore | \$49.00 |
| Keyway | \$13.40 |
| Setscrew (each) | \$13.40 |
| Harden per tooth | \$ 3.34 |





RYLE Manufacturing Company 1-800-433-0960

No. 160 2" Pitch

Type B & C

Type A

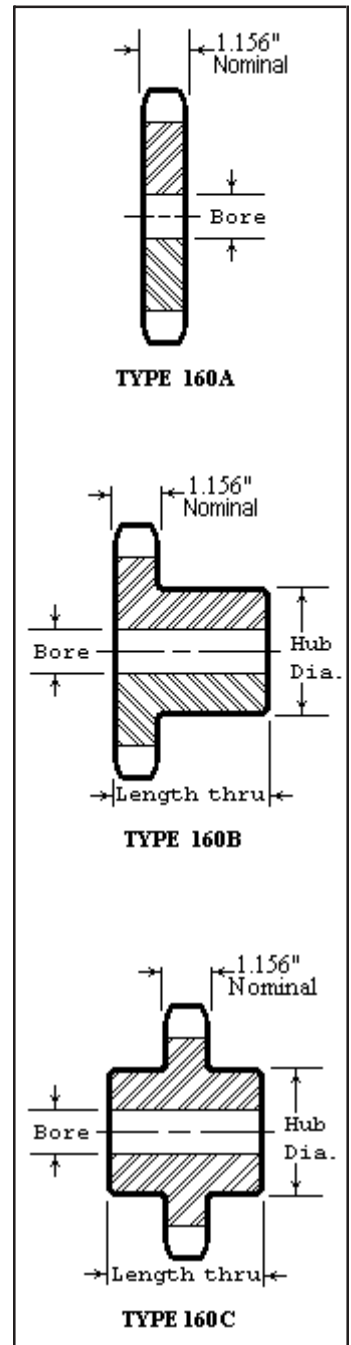
| RYLE P/N | LIST PRICE | NO. TEETH | O.D. TEETH | STOCK BORE | MAX BORE | HUB DIA. | LTB | LBS. | RYLE P/N | LIST PRICE | LBS. |
|----------|------------|-----------|------------|------------|----------|----------|-------|------|----------|------------|------|
| 160B8 | 294.20 | 8 | 6.03 | 1-1/2 | 1-7/8 | 2-51/64 | 2-1/4 | 10 | 160A8 | 193.40 | 7 |
| 160B9 | 309.60 | 9 | 6.70 | | 2-3/8 | 3-5/8 | | 12 | 160A9 | 201.00 | 9 |
| 160B10 | 325.00 | 10 | 7.36 | | 2-3/4 | 4 | | 15 | 160A10 | 208.80 | 11 |
| 160B11 | 369.80 | 11 | 8.01 | | 3-3/8 | 5 | 2-1/2 | 18 | 160A11 | 224.20 | 13 |
| 160B12 | 415.20 | 12 | 8.66 | | 3-3/4 | 5-1/2 | | 21 | 160A12 | 243.00 | 15 |
| 160B13 | 463.80 | 13 | 9.31 | | 4 | 6 | 2-3/4 | 28 | 160A13 | 259.40 | 18 |
| 160B14 | 502.80 | 14 | 9.96 | | 4-1/2 | 6-1/2 | | 30 | 160A14 | 281.60 | 20 |
| 160B15 | 549.20 | 15 | 10.61 | | 5-1/4 | 7 | | 37 | 160A15 | 304.80 | 23 |
| 160B16 | 595.60 | 16 | 11.28 | | | | | 42 | 160A16 | 328.00 | 26 |
| 160B17 | 641.80 | 17 | 11.90 | | | | | 46 | 160A17 | 348.20 | 30 |
| 160B18 | 688.00 | 18 | 12.54 | | | | | 49 | 160A18 | 371.20 | 33 |
| 160B19 | 734.80 | 19 | 13.19 | | | | | 53 | 160A19 | 394.40 | 37 |
| 160B20 | 781.00 | 20 | 13.83 | | | | | 57 | 160A20 | 448.40 | 41 |
| 160B21 | 827.40 | 21 | 14.47 | | | | | 61 | 160A21 | 479.80 | 45 |
| 160B22 | 896.80 | 22 | 15.11 | | | | | 65 | 160A22 | 487.40 | 49 |
| 160B23 | 928.20 | 23 | 15.75 | | | | | 70 | 160A23 | 510.60 | 54 |
| 160B24 | 959.00 | 24 | 16.39 | | | | 3 | 78 | 160A24 | 526.00 | 59 |
| 160B25 | 989.00 | 25 | 17.03 | | | | | 82 | 160A25 | 556.80 | 63 |
| 160B26 | 1013.00 | 26 | 17.67 | | | | | 87 | 160A26 | 587.80 | 68 |
| 160B27 | 1121.00 | 27 | 18.31 | | | | | 95 | 160A27 | 657.20 | 74 |
| 160B28 | 1160.00 | 28 | 18.95 | 2 | | | | 98 | 160A28 | 696.20 | 79 |
| 160B29 | | 29 | 19.59 | | | | | 112 | 160A29 | 730.90 | 85 |
| 160B30 | 1314.40 | 30 | 20.23 | | | | | 116 | 160A30 | 765.60 | 91 |
| 160B31 | | 31 | 20.86 | | | | | 170 | 160A31 | 792.00 | 100 |
| 160B32 | 1402.00 | 32 | 21.51 | | | | | 116 | 160A32 | 867.60 | 105 |
| 160C35 | 1438.20 | 35 | 23.42 | | 5-1/2 | 8 | 4-1/2 | 170 | 160A35 | 1020.80 | 125 |
| 160C36 | 1498.20 | 36 | 24.06 | | | | | 175 | 160A36 | 1084.60 | 134 |
| 160C40 | 1739.60 | 40 | 26.61 | | | | | 200 | 160A40 | 1322.00 | 160 |
| 160C42 | 1956.60 | 42 | 27.88 | | | | | 210 | 160A42 | 1480.00 | 180 |
| 160C45 | 2150.40 | 45 | 29.80 | | | | 5 | 245 | 160A45 | 1629.80 | 200 |
| 160C48 | 2293.80 | 48 | 31.71 | | | | | 295 | 160A48 | 1890.00 | 234 |
| 160C54 | 2890.60 | 54 | 35.54 | | | | | 340 | 160A54 | 2275.80 | 295 |
| 160C60 | 3093.20 | 60 | 39.36 | | | | | 410 | 160A60 | 2803.80 | 365 |
| 160C70 | 3924.80 | 70 | 45.73 | | | | | 540 | 160A70 | 3638.00 | 495 |
| 160C80 | 4773.40 | 80 | 52.10 | | | | | 735 | 160A80 | 4378.20 | 685 |

Maximum bores will accommodate standard keyway and setscrew over key. Slightly larger bore may be possible with shallow keyway and/or setscrew at 90 degrees. Multiple keyways must be priced at factory.

| | |
|------------------|---------|
| Rebore | \$49.00 |
| Keyway | \$13.40 |
| Setscrew (each) | \$13.40 |
| Harden per tooth | \$ 4.36 |

Split Type A plate.....\$ 6.88
per inch of sprocket diameter

| | |
|--------------------|---------------------|
| Drill Type A plate | (4) holes = \$28.00 |
| | (6) holes = \$42.00 |
| | (8) holes = \$56.00 |





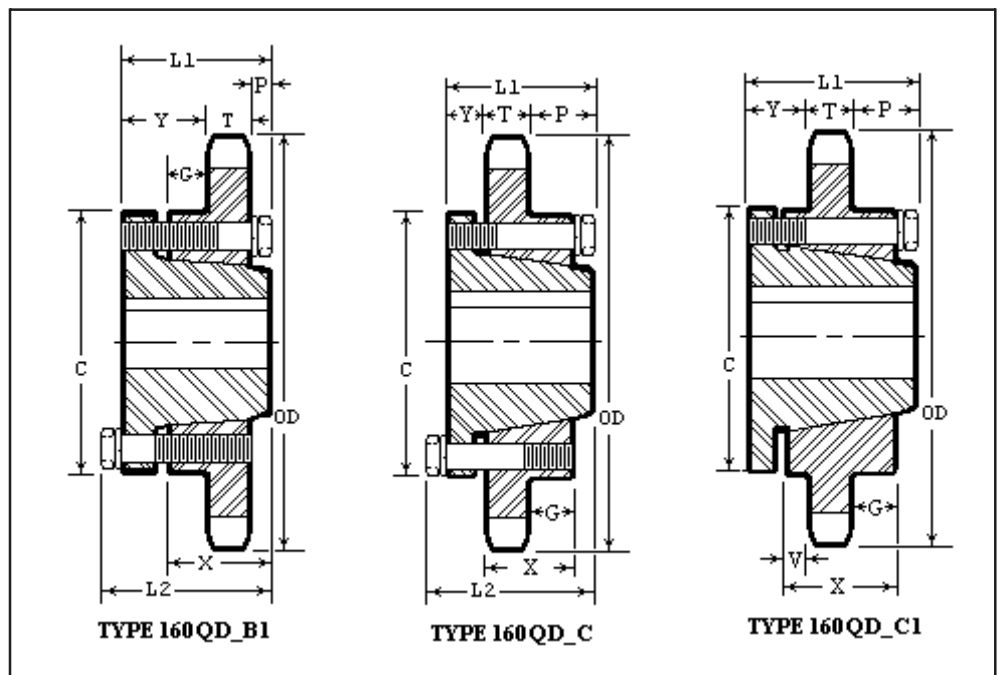
RYLE Manufacturing Company 1-800-433-0960

No. 160 2" Pitch

| RYLE P/N | LIST PRICE | TYPE MOUNT | O.D. TEETH | MAX BORE | L1 | L2 | C | Y | P | G | X | T | LBS. |
|----------|------------|------------|------------|----------|-------|---------|-------|---------|---------|---------|--------|-------|------|
| 160QD12E | 479.40 | B1 | 8.66 | 3-1/2 | 2-5/8 | 2-15/16 | 6 | 1-5/16 | 1/8 | 15/32 | 1-5/8 | 1.156 | 12 |
| 160QD13E | 523.60 | B1 | 9.31 | | | | | | | | | | 14 |
| 160QD14E | 576.20 | B1 | 9.96 | 3-1/2 | 2-5/8 | 2-15/16 | 6 | 1-5/16 | 1/8 | 15/32 | 1-5/8 | 1.156 | 17 |
| 160QD15F | 557.40 | B1 | 10.61 | 3-15/16 | 3-5/8 | 4 | 6-5/8 | 2-5/16 | 1/8 | 1-11/32 | 2-1/2 | 1.156 | 25 |
| 160QD16F | 624.40 | B1 | 11.26 | | | | | | | | | | 28 |
| 160QD17F | 668.80 | B1 | 11.90 | | | | | | | | | | 31 |
| 160QD18F | 706.40 | B1 | 12.54 | | | | | | | | | | 36 |
| 160QD19F | 826.00 | B1 | 13.19 | | | | | | | | | | 40 |
| 160QD20F | 848.60 | B1 | 13.83 | | | | | | | | | | 44 |
| 160QD21F | 886.20 | B1 | 14.74 | | | | | | | | | | 48 |
| 160QD22F | 968.20 | B1 | 15.11 | | | | | | | | | | 56 |
| 160QD23F | 1035.20 | B1 | 15.75 | | | | | | | | | | 64 |
| 160QD24F | 1056.00 | B1 | 16.39 | | | | | | | | | | 68 |
| 160QD25F | 1095.60 | B1 | 17.03 | 3-15/16 | 3-5/8 | 4 | 6-5/8 | 2-5/16 | 1/8 | 1-11/32 | 2-1/2 | 1.156 | 71 |
| 160QD26J | 1125.40 | C | 17.67 | 4-7/16 | 4-1/2 | 5 | 7-1/4 | 1-3/16 | 2-1/8 | 2-1/32 | 3-3/16 | 1.156 | 75 |
| 160QD27J | 1160.00 | C | 18.31 | | | | | | | | | | 85 |
| 160QD28J | 1215.00 | C | 18.95 | | | | | | | | | | 96 |
| 160QD30J | 1374.20 | C | 20.23 | | | | | | | | | | 104 |
| 160QD35J | 1513.60 | C | 23.42 | 4-7/16 | 4-1/2 | 5 | 7-1/4 | 1-3/16 | 2-1/8 | 2-1/32 | 3-3/16 | 1.156 | 112 |
| 160QD40M | 1822.60 | C1 | 26.61 | 5-1/2 | 6-3/4 | 6-3/4 | 9 | 2-11/16 | 2-11/16 | 2-13/32 | 5-3/16 | 1.156 | 135 |
| 160QD45M | 2256.60 | C1 | 29.80 | | | | | | | | | | 186 |
| 160QD54M | 3032.80 | C1 | 35.54 | | | | | | | | | | 247 |
| 160QD60M | 3246.00 | C1 | 39.36 | | | | | | | | | | 342 |
| 160QD70M | 4120.20 | C1 | 45.73 | | | | | | | | | | 434 |
| 160QD80M | 5012.20 | C1 | 52.10 | 5-1/2 | 6-3/4 | 6-3/4 | 9 | 2-11/16 | 2-11/16 | 2-13/32 | 5-3/16 | 1.156 | 510 |

Harden per tooth\$ 4.36
 QD Bushing dimensions and prices page 10

| RYLE P/N | LIST PRICE |
|-----------|------------|
| 160QD12HE | 452.40 |
| 160QD13HE | 581.40 |
| 160QD14HE | 638.00 |
| 160QD15HF | 680.40 |
| 160QD16HF | 695.80 |
| 160QD17HF | 744.00 |
| 160QD18HF | 786.40 |
| 160QD19HF | 910.40 |
| 160QD20HF | 937.80 |
| 160QD21HF | 979.40 |
| 160QD22HF | 1066.00 |
| 160QD23HF | 1138.00 |
| 160QD24HF | 1171.20 |
| 160QD25HF | 1202.00 |
| 160QD26HJ | 1236.20 |
| 160QD27HJ | 1277.80 |
| 160QD28HJ | 1251.80 |
| 160QD30HJ | 1410.40 |





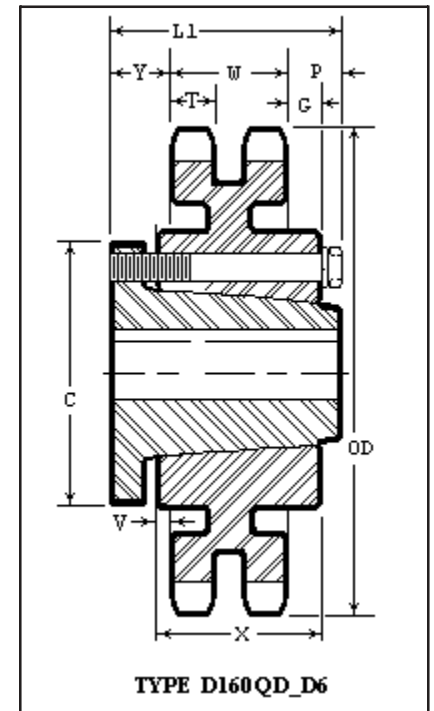
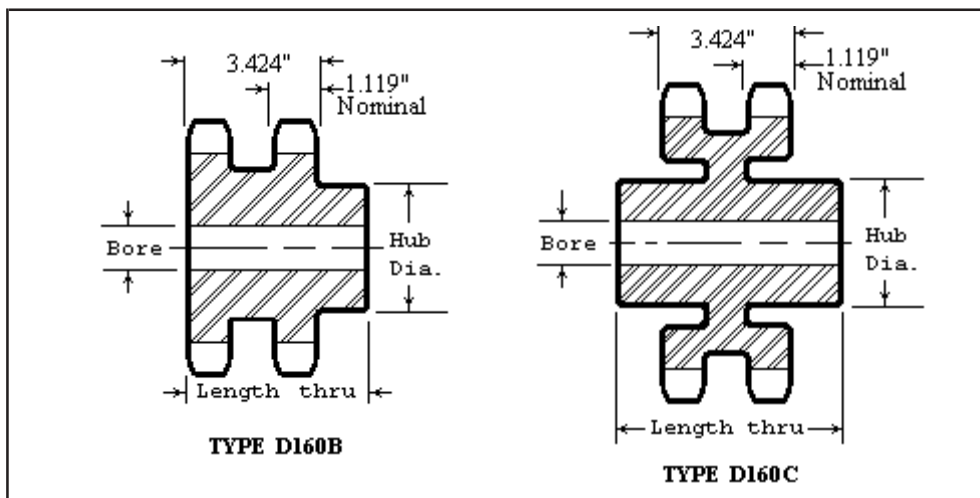
RYLE Manufacturing Company 1-800-433-0960

No. 160-2 Double Strand 2" Pitch

| RYLE P/N | LIST PRICE | NO. TEETH | TYPE | O.D. TEETH | STOCK BORE | MAX BORE | HUB DIA. | LTB | LBS. |
|----------|------------|-----------|------|------------|------------|----------|----------|-------|------|
| D160B12 | 1030.00 | 12 | B | 8.66 | 2 | 3-3/4 | 5-1/2 | 4-3/4 | 42 |
| D160B13 | 1041.40 | 13 | B | 9.31 | | 4 | 6-1/4 | | 49 |
| D160B14 | 1154.80 | 14 | B | 9.93 | | 4-3/4 | 6-3/4 | | 74 |
| D160B15 | 1188.60 | 15 | B | 10.61 | | 5 | 7 | | 84 |
| D160B16 | 1275.40 | 16 | B | 11.26 | | 5-3/8 | 7-1/2 | | 94 |
| D160B17 | 1359.60 | 17 | B | 11.90 | | | | | 104 |
| D160B18 | 1444.20 | 18 | B | 12.54 | | | | | 114 |
| D160B19 | 1528.40 | 19 | B | 13.19 | | | | | 124 |
| D160B20 | 1699.60 | 20 | B | 13.83 | | | | | 134 |
| D160B21 | 1868.40 | 21 | B | 14.47 | | | | | 147 |
| D160B22 | 1996.20 | 22 | B | 15.11 | | | | | 158 |
| D160B23 | 2165.00 | 23 | B | 15.75 | | | | | 171 |
| D160B24 | 2338.60 | 24 | B | 16.39 | | | | | 120 |
| D160B25 | 2507.20 | 25 | B | 17.03 | | | | | 135 |
| D160B26 | 2635.00 | 26 | B | 17.67 | | | | | 160 |
| D160B28 | 2910.60 | 28 | B | 18.95 | | | | | 195 |
| D160B30 | 3220.40 | 30 | B | 20.23 | | | | | 270 |
| D160B32 | 3325.20 | 32 | B | 21.51 | | | | | 290 |
| D160C35 | 3346.20 | 35 | C | 23.42 | | 6-3/4 | 9-1/2 | 7-1/8 | 297 |
| D160C40 | 4640.00 | 40 | C | 26.61 | | | | | 310 |
| D160C45 | 4674.60 | 45 | C | 29.80 | | 7 | 10 | | 381 |
| D160C48 | 5905.60 | 48 | C | 31.71 | | | | | 395 |
| D160C54 | 6610.40 | 54 | C | 35.54 | | | | | 485 |
| D160C60 | 6678.00 | 60 | C | 39.36 | | | | | 510 |
| D160C70 | 10891.30 | 70 | C | 45.73 | | | | | 610 |

| | |
|------------------|---------|
| Rebore | \$49.00 |
| Keyway | \$13.40 |
| Setscrew (each) | \$13.40 |
| Harden per tooth | \$ 4.36 |

Maximum bores will accommodate standard keyway and setscrew over key. Slightly larger bores may be possible with shallow keyway and/or setscrew at 90 degrees. Multiple keyways must be priced at factory.



| RYLE P/N | LIST PRICE | O.D. TEETH | MAX BORE | TYPE MOUNT | L1 | L2 | C | DIMENSIONS | | | | LBS | | | |
|-----------|------------|------------|----------|------------|-------|-------|----|------------|---------|--------|-------|--------|-------|-------|-----|
| | | | | | | | | Y | P | G | V | X | T | W | |
| D160QD35M | 3406.60 | 23.42 | 5-1/2 | C6 | 6-3/4 | 6-3/4 | 9 | 2-3/64 | 1-9/32 | 1-5/32 | 39/64 | 5-3/16 | 1.119 | 3.424 | 242 |
| D160QD45N | 4841.00 | 29.80 | 5-7/8 | C6 | 8-1/8 | 8-1/8 | 10 | 2-11/32 | 2-23/64 | 2-5/32 | 21/32 | 6-1/4 | 1.119 | 3.424 | 360 |
| D160QD60N | 7965.40 | 39.36 | 5-7/8 | C6 | 8-1/8 | 8-1/8 | 10 | 2-11/32 | 2-23/64 | 2-5/32 | 21/32 | 6-1/4 | 1.119 | 3.424 | 490 |

Harden per tooth\$ 4.36

QD Bushing dimensions and prices page 10



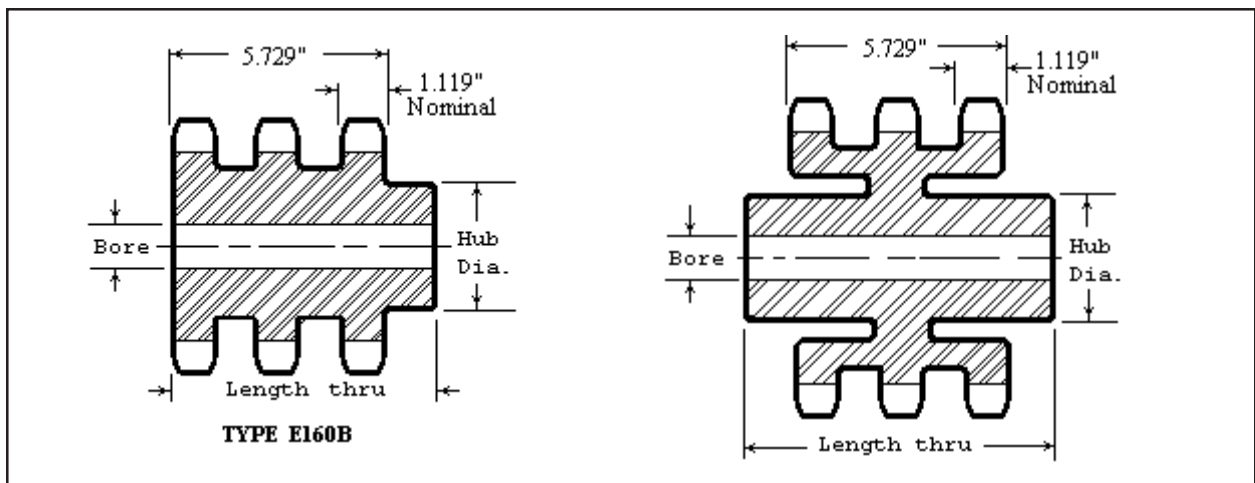
RYLE Manufacturing Company 1-800-433-0960

No. 160-3 Triple Strand 2" Pitch

| RYLE P/N | LIST PRICE | NO. TEETH | O.D. TEETH | STOCK BORE | MAX BORE | HUB DIA. | LTB | LBS. |
|----------|------------|-----------|------------|------------|----------|----------|-------|------|
| E160B12 | 1845.40 | 12 | 8.66 | 2 | 3-3/4 | 5-1/2 | 6-7/8 | 52 |
| E160B13 | 1962.10 | 13 | 9.31 | | 4 | 6-1/4 | | 63 |
| E160B14 | 2132.20 | 14 | 9.96 | | 4-3/4 | 6-3/4 | | 75 |
| E160B15 | 2282.90 | 15 | 10.61 | | 5 | 7-3/8 | 7 | 98 |
| E160B16 | 2363.10 | 16 | 11.26 | | 5-1/2 | 8 | 7-3/8 | 115 |
| E160B17 | 2439.40 | 17 | 11.90 | | | | | 125 |
| E160B18 | 2466.30 | 18 | 12.54 | | | | | 149 |
| E160B19 | 2792.60 | 19 | 13.19 | | | | 7-1/2 | 162 |
| E160B20 | 3104.30 | 20 | 13.83 | | | | | 172 |
| E160B21 | 3202.60 | 21 | 14.47 | | | | | 185 |
| E160B22 | 3696.30 | 22 | 15.11 | | | | | 215 |
| E160B23 | 3810.80 | 23 | 15.75 | | | | | 240 |
| E160B24 | 4007.90 | 24 | 16.39 | | | | 7-5/8 | 265 |
| E160B25 | 4360.80 | 25 | 17.03 | | | | | 295 |
| E160B26 | 4552.50 | 26 | 17.67 | | | | | 305 |
| E160C30 | 6502.30 | 30 | 20.22 | | | | 7-1/4 | 265 |
| E160C35 | 7719.30 | 35 | 23.42 | | 6-3/4 | 9-1/2 | | 280 |
| E160C40 | 9232.80 | 40 | 26.61 | | | | 7-1/2 | 380 |
| E160C45 | 10411.90 | 45 | 29.80 | | 7 | 10 | | 420 |
| E160C60 | 13970.00 | 60 | 39.36 | | | | | 735 |

Maximum bores will accommodate standard keyway and setscrew over key. Slightly larger bores may be possible with shallow keyway and/or setscrew at 90 degrees. Multiple keyways must be priced at factory.

| | |
|------------------|---------|
| Rebore | \$49.00 |
| Keyway | \$13.40 |
| Setscrew (each) | \$13.40 |
| Harden per tooth | \$ 4.36 |





RYLE Manufacturing Company 1-800-433-0960

No. 180 2-1/4" Pitch

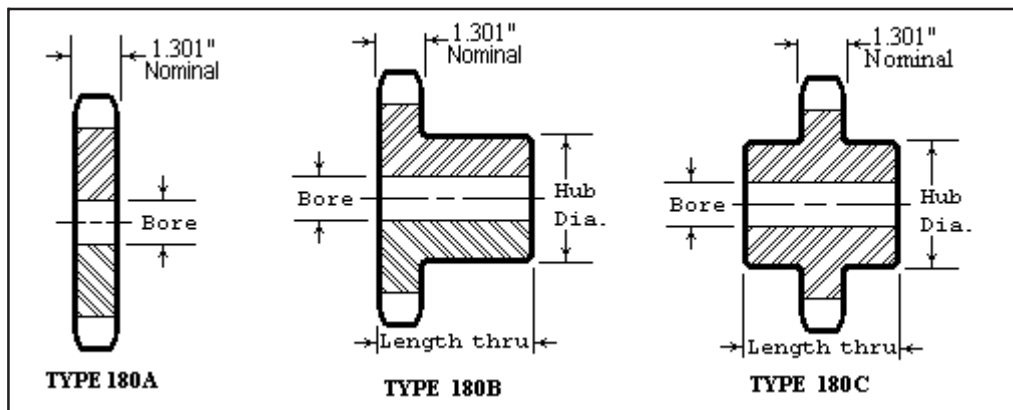
Type B & C

Type A

| RYLE P/N | LIST PRICE | NO. TEETH | O.D. TEETH | STOCK BORE | MAX BORE | HUB DIA. | LTB | LBS. | RYLE P/N | LIST PRICE | LBS. |
|----------|------------|-----------|------------|------------|----------|----------|-------|------|----------|------------|------|
| 180B11 | 574.80 | 11 | 9.01 | 1-1/2 | 3-3/8 | 5-1/4 | 2-3/4 | 27 | 180A11 | 421.40 | 18 |
| 180B12 | 581.00 | 12 | 9.75 | | 4 | 6 | | 32 | 180A12 | 431.00 | 22 |
| 180B13 | 626.40 | 13 | 10.48 | | 4-1/2 | 6-1/2 | | 41 | 180A13 | 463.40 | 26 |
| 180B14 | 664.80 | 14 | 11.21 | | 5-3/8 | 7-1/4 | 3 | 50 | 180A14 | 495.20 | 30 |
| 180B15 | 734.80 | 15 | 11.93 | | | | | 58 | 180A15 | 525.20 | 34 |
| 180B16 | 788.80 | 16 | 12.66 | | | | | 63 | 180A16 | 568.40 | 39 |
| 180B17 | 850.60 | 17 | 13.39 | | | | | 68 | 180A17 | 618.60 | 45 |
| 180B18 | 904.60 | 18 | 14.11 | | | | 3-1/4 | 74 | 180A18 | 664.80 | 49 |
| 180B19 | 959.00 | 19 | 14.83 | | | | | 79 | 180A19 | 693.80 | 55 |
| 180B20 | 1005.40 | 20 | 15.56 | | | | | 85 | 180A20 | 742.60 | 60 |
| 180B21 | 1059.40 | 21 | 16.28 | | | | | 91 | 180A21 | 781.00 | 67 |
| 180B22 | 1121.00 | 22 | 17.00 | | | | | 98 | 180A22 | 920.00 | 74 |
| 180B23 | 1167.80 | 23 | 17.72 | | | | | 105 | 180A23 | 974.40 | 81 |
| 180B24 | 1299.00 | 24 | 18.44 | | | | 3-1/2 | 117 | 180A24 | 1036.20 | 88 |
| 180B25 | 1438.20 | 25 | 19.16 | | | | | 138 | 180A25 | 1272.00 | 96 |
| 180B26 | 1551.60 | 26 | 19.88 | | 5-1/2 | 8 | | 150 | 180A26 | 1350.60 | 102 |
| 180B28 | 1778.20 | 28 | 21.32 | | | | | 158 | 180A28 | 1507.80 | 128 |
| 180C30 | 2010.20 | 30 | 22.76 | 2 | | | 4-1/2 | 188 | 180A30 | 1778.20 | 136 |
| 180C35 | 2203.40 | 35 | 26.25 | | | | 5 | 255 | 180A35 | 1971.60 | 188 |
| 180C40 | 2435.40 | 40 | 29.94 | | | | | 300 | 180A40 | 2203.40 | 240 |
| 180C45 | 2976.80 | 45 | 33.53 | | 6 | 9 | 5-1/2 | 388 | 180A45 | 2706.00 | 304 |
| 180C54 | 3711.20 | 54 | 39.98 | | | | | 528 | 180A54 | 3015.60 | 440 |
| 180C60 | 4553.60 | 60 | 44.28 | | | | | 630 | 180A60 | 4175.20 | 550 |

Maximum bores will accommodate standard keyway and setscrew over key. Slightly larger bore may be possible with shallow keyway and/or setscrew at 90 degrees. Multiple keyways must be priced at factory.

| | |
|-------------------------------|---------------------|
| Split Type A plate | \$ 7.54 |
| per inch of sprocket diameter | |
| Rebore | \$49.00 |
| Keyway | \$13.40 |
| Setscrew (each) | \$13.40 |
| Harden per tooth | \$ 4.88 |
| Drill Type A plate | (4) holes = \$28.00 |
| | (6) holes = \$42.00 |
| | (8) holes = \$56.00 |





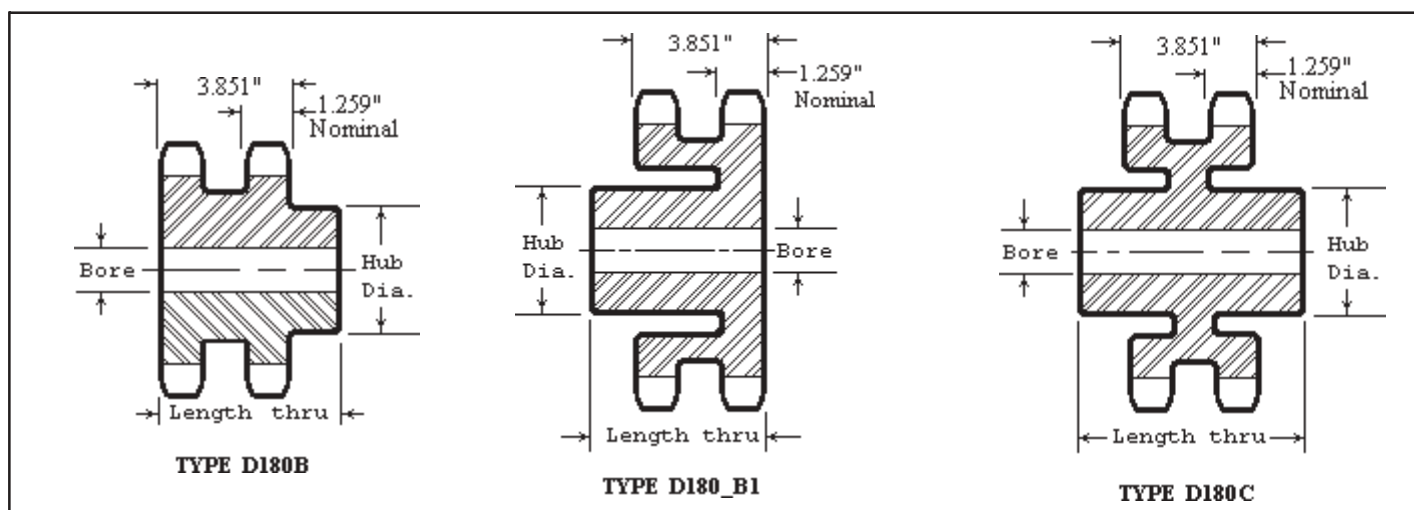
RYLE Manufacturing Company 1-800-433-0960

No. 180-2 Double Strand 2-1/4" Pitch

| RYLE P/N | LIST PRICE | NO. TEETH | TYPE | O.D. TEETH | STOCK BORE | MAX BORE | HUB DIA. | LTB | LBS. |
|----------|------------|-----------|------|------------|------------|----------|----------|-------|------|
| D180B12 | 1227.40 | 12 | B | 9.75 | 2 | 4 | 6 | 5-1/4 | 89 |
| D180B13 | 1284.90 | 13 | B | 10.48 | | 4-1/2 | 6-1/2 | | 95 |
| D180B14 | 1405.50 | 14 | B | 11.21 | | 5-3/8 | 7-1/2 | | 100 |
| D180B15 | 1464.60 | 15 | B | 11.93 | | | | | 105 |
| D180B16 | 1680.40 | 16 | B | 12.66 | | | | | 110 |
| D180B17 | 1791.20 | 17 | B | 13.39 | | | | | 115 |
| D180B18 | 1880.50 | 18 | B | 14.11 | | | | | 130 |
| D180B19 | 1991.30 | 19 | B | 14.83 | | | | | 160 |
| D180B20 | 2148.10 | 20 | B | 15.56 | | | | | 180 |
| D180B21 | 2279.50 | 21 | B | 16.28 | | | | | 210 |
| D180B22 | 2412.10 | 22 | B | 17.00 | | | | | 220 |
| D180B23 | 2566.40 | 23 | B | 17.72 | | | | | 240 |
| D180B24 | 2746.00 | 24 | B1 | 18.44 | | | | | 180 |
| D180B25 | 2921.90 | 25 | B1 | 19.16 | | | | | 195 |
| D180B26 | 3101.50 | 26 | B1 | 19.88 | | | | | 205 |
| D180B30 | 3650.20 | 30 | B1 | 22.75 | | | | | 230 |
| D180C35 | 4340.70 | 35 | C | 26.35 | | | | 6-1/2 | 268 |
| D180C40 | 5210.60 | 40 | C | 29.94 | | 6 | 9 | | 310 |
| D180C45 | 5862.00 | 45 | C | 33.53 | | | | 7-1/4 | 445 |
| D180C60 | 8533.20 | 60 | C | 44.28 | | | | | 610 |

Maximum bores will accommodate standard keyway and setscrew over key. Slightly larger bores may be possible with shallow keyway and/or setscrew at 90 degrees. Multiple keyways must be priced at factory.

| | |
|------------------|---------|
| Rebore | \$49.00 |
| Keyway | \$13.40 |
| Setscrew (each) | \$13.40 |
| Harden per tooth | \$ 4.88 |





RYLE Manufacturing Company 1-800-433-0960

No. 200 2-1/2" Pitch

Type B & C

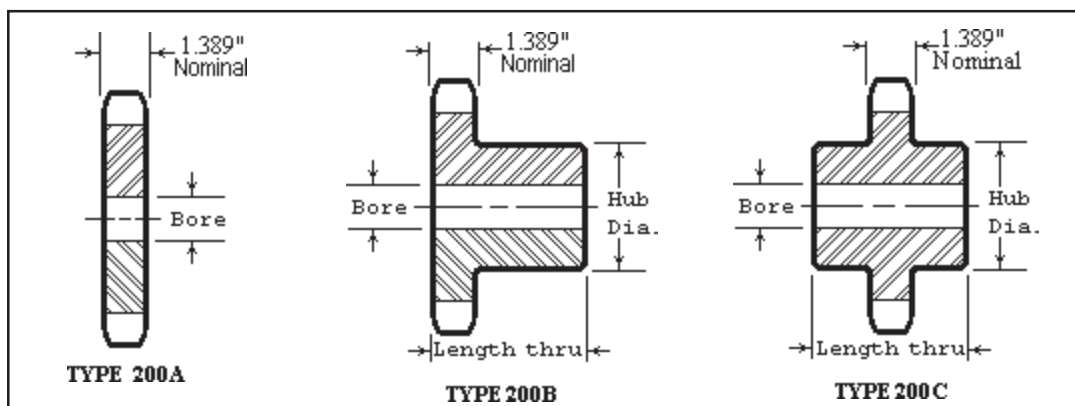
Type A

| RYLE P/N | LIST PRICE | NO. TEETH | O.D. TEETH | STOCK BORE | MAX BORE | HUB DIA. | LTB | LBS. | RYLE P/N | LIST PRICE | LBS. |
|----------|------------|-----------|------------|------------|----------|----------|-------|------|----------|------------|------|
| | | 9 | 8.37 | 1-3/8 | | | | | 200A9 | 425.00 | 14 |
| 200B10 | 556.80 | 10 | 9.20 | 1-1/2 | 3-3/4 | 5-1/2 | 3 | 26 | 200A10 | 433.00 | 16 |
| 200B11 | 605.20 | 11 | 10.02 | | 4 | 6 | | 35 | 200A11 | 463.80 | 24 |
| 200B12 | 651.40 | 12 | 10.83 | | 4-1/2 | 6-1/2 | | 42 | 200A12 | 541.40 | 28 |
| 200B13 | 683.20 | 13 | 11.64 | | 5-1/8 | 7 | | 48 | 200A13 | 572.40 | 32 |
| 200B14 | 716.00 | 14 | 12.46 | | 5-3/8 | 7-1/2 | 3-1/2 | 65 | 200A14 | 618.60 | 38 |
| 200B15 | 838.60 | 15 | 13.26 | | | | | 70 | 200A15 | 711.80 | 44 |
| 200B16 | 962.00 | 16 | 14.07 | | | | | 76 | 200A16 | 788.80 | 50 |
| 200B17 | 1002.00 | 17 | 14.87 | | | | | 82 | 200A17 | 858.20 | 56 |
| 200B18 | 1036.20 | 18 | 15.68 | | | | | 89 | 200A18 | 912.20 | 63 |
| 200B19 | 1104.20 | 19 | 16.48 | | | | | 96 | 200A19 | 959.00 | 70 |
| 200B20 | 1138.40 | 20 | 17.29 | | | | | 104 | 200A20 | 1005.40 | 78 |
| 200B21 | 1171.80 | 21 | 18.08 | | | | | 112 | 200A21 | 1043.80 | 85 |
| 200B22 | 1399.80 | 22 | 18.89 | | 5-3/4 | 8-1/2 | 4 | 135 | 200A22 | 1198.60 | 95 |
| 200B23 | 1469.20 | 23 | 19.69 | | | | | 143 | 200A23 | 1275.80 | 103 |
| 200B24 | 1662.60 | 24 | 20.49 | | | | | 152 | 200A24 | 1392.00 | 112 |
| 200B25 | 1933.00 | 25 | 21.29 | | | | | 161 | 200A25 | 1624.00 | 121 |
| 200C26 | 2010.20 | 26 | 22.09 | 2 | | | 4-1/2 | 185 | 200A26 | 1701.00 | 132 |
| 200C28 | 2165.00 | 28 | 23.69 | | | | | 200 | 200A28 | 1855.80 | 148 |
| 200C30 | 2242.00 | 30 | 25.29 | | | | | 220 | 200A30 | 1933.00 | 170 |
| 200C32 | 2551.60 | 32 | 26.88 | | | | | 244 | 200A32 | 2165.00 | 199 |
| 200C35 | 2583.60 | 35 | 29.28 | | | | | 283 | 200A35 | 2396.80 | 238 |
| 200C36 | 2657.40 | 36 | 30.07 | | | | | 300 | 200A36 | 2460.00 | 250 |
| 200C40 | 2976.80 | 40 | 33.27 | | 6 | 9 | 5 | 360 | 200A40 | 2628.80 | 310 |
| 200C42 | 3125.60 | 42 | 34.86 | | | | | 405 | 200A42 | 2880.00 | 345 |
| 200C45 | 3399.40 | 45 | 37.27 | | | | | 442 | 200A45 | 3059.40 | 392 |
| 200C48 | 3626.00 | 48 | 39.64 | | | | | 500 | 200A48 | 3263.40 | 448 |
| 200C54 | 4166.00 | 54 | 44.42 | | 6-1/2 | 9-1/2 | 5-1/2 | 520 | 200A54 | 3399.40 | 560 |
| 200C60 | 5017.00 | 60 | 49.20 | | | | | 600 | 200A60 | 4590.20 | 700 |

Maximum bores will accommodate standard keyway and setscrew over key. Slightly larger bore may be possible with shallow keyway and/or setscrew at 90 degrees. Multiple keyways must be priced at factory.

Split Type A plate \$ 8.00
per inch of sprocket diameter

Rebore \$49.00
Keyway \$13.40
Setscrew (each) \$13.40
Harden per tooth \$ 5.32
Drill Type A plate (4) holes = \$28.00
(6) holes = \$42.00
(8) holes = \$56.00





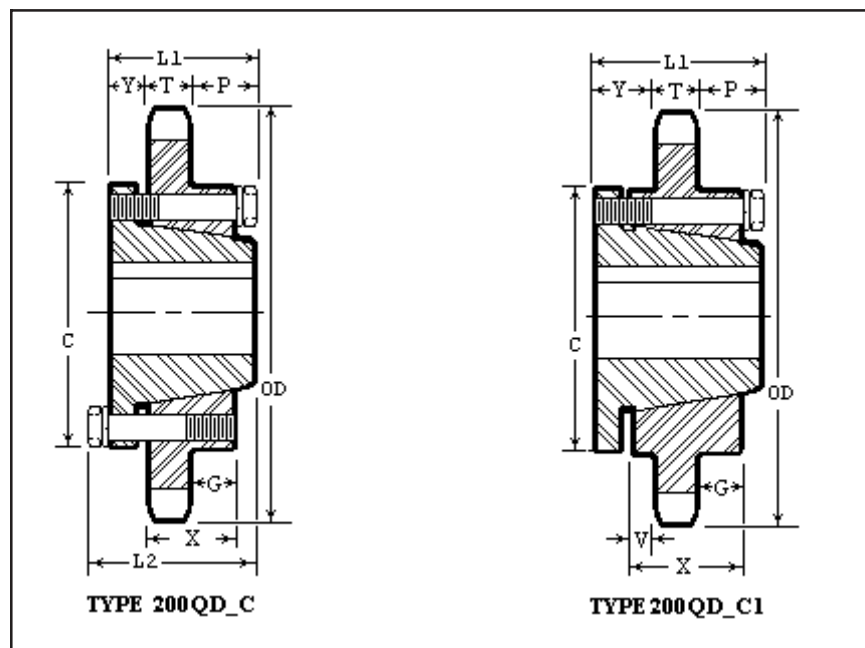
RYLE Manufacturing Company 1-800-433-0960

No. 200 2-1/2" Pitch

| RYLE P/N | LIST PRICE | TYPE MOUNT | O.D. TEETH | MAX BORE | L1 | L2 | C | Y | P | G | V | X | T | LBS. |
|----------|------------|------------|------------|----------|-------|-------|-------|---------|---------|---------|---------|--------|-------|------|
| 200QD12F | 713.60 | C | 10.83 | 3-15/16 | 3-5/8 | 4 | 6-5/8 | 1 | 1-5/16 | 1-1/8 | | 2-1/2 | 1.301 | 26 |
| 200QD13J | 752.20 | C | 11.64 | 4-7/16 | 4-1/2 | 5 | 7-1/4 | 1-3/16 | 2 | 1-13/16 | | 3-3/16 | 1.301 | 35 |
| 200QD14J | 790.80 | C | 12.46 | | | | | | | | | | | 42 |
| 200QD15J | 921.00 | C | 13.26 | | | | | | | | | | | 49 |
| 200QD16J | 1056.00 | C | 14.07 | 4-7/16 | 4-1/2 | 5 | 7-1/4 | 1-3/16 | 2 | 1-13/16 | | 3-3/16 | 1.301 | 56 |
| 200QD17M | 1094.40 | C1 | 14.87 | 5-1/2 | 6-3/4 | 6-3/4 | 9 | 2-23/32 | 2-23/32 | 2-5/16 | 1-1/2 | 5-3/16 | 1.301 | 82 |
| 200QD18M | 1138.00 | C1 | 15.68 | | | | | | | | | | | 90 |
| 200QD19M | 1157.20 | C1 | 16.48 | | | | | | | | | | | 100 |
| 200QD20M | 1191.00 | C1 | 17.29 | | | | | | | | | | | 109 |
| 200QD21M | 1229.60 | C1 | 18.09 | | | | | | | | | | | 115 |
| 200QD22M | 1465.80 | C1 | 18.89 | | | | | | | | | | | 123 |
| 200QD23M | 1543.00 | C1 | 19.69 | | | | | | | | | | | 129 |
| 200QD24M | 1745.40 | C1 | 20.49 | | | | | | | | | | | 141 |
| 200QD25M | 2025.20 | C1 | 21.29 | | | | | | | | | | | 153 |
| 200QD26M | 2102.20 | C1 | 22.09 | | | | | | | | | | | 161 |
| 200QD28M | 2271.00 | C1 | 23.69 | | | | | | | | | | | 183 |
| 200QD30M | 2353.00 | C1 | 25.29 | | | | | | | | | | | 260 |
| 200QD32M | 2676.00 | C1 | 26.88 | | | | | | | | | | | 280 |
| 200QD35M | 2917.20 | C1 | 29.28 | | | | | | | | | | | 315 |
| 200QD40M | 3110.00 | C1 | 33.27 | 5-1/2 | 6-3/4 | 6-3/4 | 9 | 2-23/32 | 2-23/32 | 2-5/16 | 1-1/2 | 5-3/16 | 1.301 | 400 |
| 200QD45N | 3601.80 | C1 | 37.25 | 5-7/8 | 8-1/8 | 8-1/8 | 10 | 3-13/32 | 3-13/32 | 3-1/16 | 1-11/16 | 6-1/4 | 1.301 | 510 |
| 200QD54N | 4484.20 | C1 | 44.42 | | | | | | | | | | | 700 |
| 200QD60N | 5607.60 | C1 | 49.20 | 5-7/8 | 8-1/8 | 8-1/8 | 10 | 3-13/32 | 3-13/32 | 3-1/16 | 1-11/16 | 6-1/4 | 1.301 | 860 |

Harden per tooth\$ 5.32

QD Bushing dimensions and prices page 10





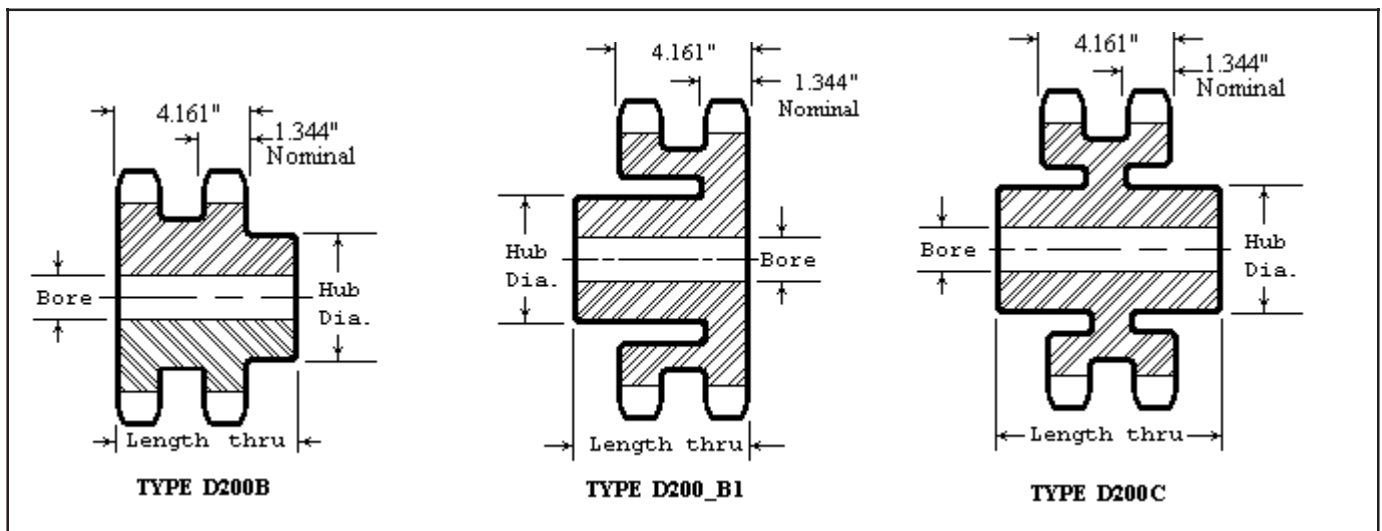
RYLE Manufacturing Company 1-800-433-0960

No. 200-2 Double Strand 2-1/2" Pitch

| RYLE P/N | LIST PRICE | NO. TEETH | TYPE | O.D. TEETH | STOCK BORE | MAX BORE | HUB DIA. | LTB | LBS. |
|----------|------------|-----------|------|------------|------------|----------|----------|-------|------|
| D200B11 | 1275.80 | 11 | B | 10.02 | 2 | 3-3/4 | 5-1/2 | 5-7/8 | 92 |
| D200B12 | 1424.80 | 12 | B | 10.83 | | 4-1/2 | 6-1/2 | 6-3/8 | 116 |
| D200B13 | 1528.40 | 13 | B | 11.64 | | 5-1/4 | 7 | | 132 |
| D200B14 | 1656.20 | 14 | B | 12.46 | | 5-1/2 | 8 | | 160 |
| D200B15 | 1740.60 | 15 | B | 13.26 | | 5-3/4 | 8-1/2 | | 185 |
| D200B16 | 2085.40 | 16 | B | 14.07 | | | | | 210 |
| D200B17 | 2222.80 | 17 | B | 14.87 | | | | | 235 |
| D200B18 | 2316.80 | 18 | B | 15.68 | | | | | 255 |
| D200B19 | 2454.20 | 19 | B | 16.48 | | | | | 275 |
| D200B20 | 2596.60 | 20 | B | 17.29 | | | | | 307 |
| D200B21 | 2690.60 | 21 | B | 18.09 | | | | | 330 |
| D200B22 | 2828.00 | 22 | B1 | 18.89 | | | | | 240 |
| D200B23 | 2967.80 | 23 | B1 | 19.69 | | | | | 255 |
| D200B24 | 3153.40 | 24 | B1 | 20.49 | | | | | 270 |
| D200B25 | 3336.60 | 25 | B1 | 21.29 | | | | | 295 |
| D200B26 | 3568.00 | 26 | B1 | 22.09 | | | | | 310 |
| D200C30 | 5316.90 | 30 | C | 25.29 | | | | 6-3/4 | 325 |
| D200C32 | 6900.25 | 32 | C | 26.88 | | | | | 350 |
| D200C35 | 7682.90 | 35 | C | 29.28 | | | | | 400 |
| D200C40 | 7666.20 | 40 | C | 37.25 | | 6 | 9 | 7-1/4 | 465 |
| D200C45 | 7049.40 | 45 | C | 37.25 | | 7 | 10 | 8-1/2 | 790 |
| D200C54 | 11360.60 | 54 | C | 44.42 | | | | | 825 |
| D200C60 | 10388.40 | 60 | C | 49.20 | | | | 9 | 1150 |
| D200C70 | 16950.80 | 70 | C | 51.17 | | | | | 1260 |

Maximum bores will accommodate standard keyway and setscrew over key. Slightly larger bores may be possible with shallow keyway and/or setscrew at 90 degrees. Multiple keyways must be priced at factory.

| | |
|------------------|---------|
| Rebore | \$49.00 |
| Keyway | \$13.40 |
| Setscrew (each) | \$13.40 |
| Harden per tooth | \$ 5.32 |





RYLE Manufacturing Company 1-800-433-0960

No. 240 3" Pitch

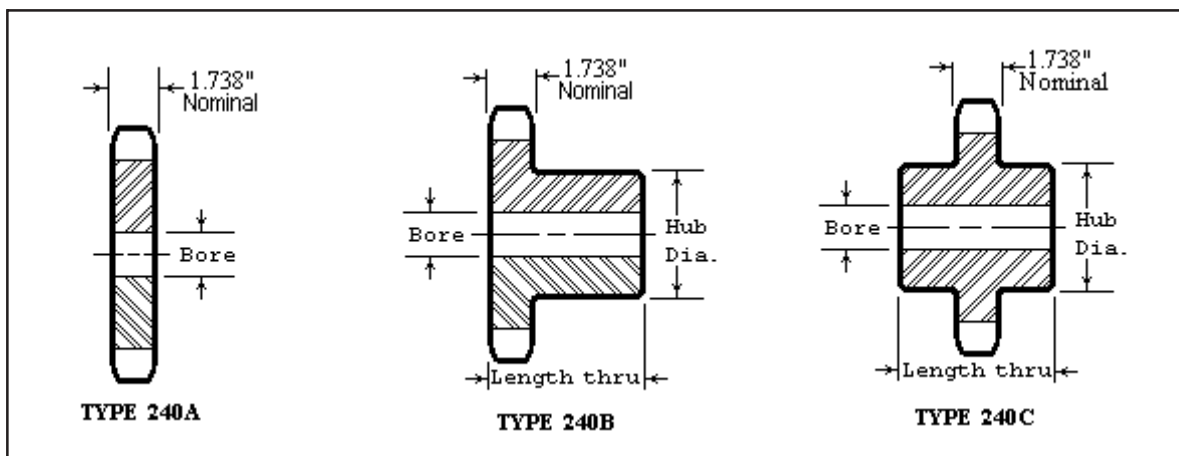
Type B & C

Type A

| RYLE P/N | LIST PRICE | NO. TEETH | O.D. TEETH | STOCK BORE | MAX BORE | HUB DIA. | LTB | LBS. | RYLE P/N | LIST PRICE | LBS. |
|----------|------------|-----------|------------|------------|----------|----------|-------|------|----------|------------|------|
| 240B10 | 1043.80 | 10 | 11.03 | 2 | 4-1/2 | 6-1/2 | 3-3/8 | 49 | 240A10 | 679.80 | 30 |
| 240B11 | 1059.40 | 11 | 12.02 | | 5 | 7 | 3-1/2 | 56 | 240A11 | 748.80 | 36 |
| 240B12 | 1095.00 | 12 | 13.00 | | 5-1/2 | 8 | | 66 | 240A12 | 823.60 | 42 |
| 240B13 | 1161.60 | 13 | 13.97 | | 6 | 9 | | 77 | 240A13 | 904.20 | 48 |
| 240B14 | 1220.00 | 14 | 14.94 | | 6-3/4 | 10 | 4 | 103 | 240A14 | 984.60 | 59 |
| 240B15 | 1307.60 | 15 | 15.91 | | | | | 112 | 240A15 | 1073.40 | 66 |
| 240B16 | 1484.60 | 16 | 16.88 | | | | | 122 | 240A16 | 1176.00 | 75 |
| 240B17 | 1587.20 | 17 | 17.85 | | | | | 130 | 240A17 | 1278.60 | 84 |
| 240B18 | 1712.60 | 18 | 18.81 | | | | 4-1/2 | 146 | 240A18 | 1403.60 | 95 |
| 240B19 | 1838.00 | 19 | 19.78 | | | | | 154 | 240A19 | 1528.40 | 105 |
| 240B20 | 1955.20 | 20 | 20.74 | | | | | 166 | 240A20 | 1652.80 | 117 |
| 240B21 | 2056.40 | 21 | 21.71 | | | | | 178 | 240A21 | 1749.80 | 128 |
| 240B25 | 2594.20 | 25 | 25.55 | | | | | 258 | 240A25 | 2284.40 | 182 |
| 240C30 | 3807.60 | 30 | 30.34 | | 7-1/2 | 11 | 5-1/2 | 310 | 240A30 | 3015.60 | 263 |
| 240C35 | 5050.80 | 35 | 35.13 | | | | | 416 | 240A35 | 4202.00 | 357 |
| 240C40 | 6376.80 | 40 | 39.92 | | | | | 530 | 240A40 | 5209.80 | 465 |
| 240C45 | 7430.20 | 45 | 44.70 | | 8-3/8 | 12 | 6 | 670 | 240A45 | 6299.60 | 588 |
| 240C54 | 9812.20 | 54 | 53.31 | | | | 6-1/2 | 925 | 240A54 | 8647.80 | 840 |
| 240C60 | 11514.20 | 60 | 59.04 | | | | | 1130 | 240A60 | 10337.80 | 1050 |

Maximum bores will accommodate standard keyway and setscrew over key. Slightly larger bore may be possible with shallow keyway and/or setscrew at 90 degrees. Multiple keyways must be priced at factory.

| | |
|-------------------------------|---------------------|
| Split Type A plate | \$ 8.88 |
| per inch of sprocket diameter | |
| Rebore | \$49.00 |
| Keyway | \$13.40 |
| Setscrew (each) | \$13.40 |
| Harden per tooth | \$ 6.40 |
| Drill Type A plate | (4) holes = \$28.00 |
| | (6) holes = \$42.00 |
| | (8) holes = \$56.00 |





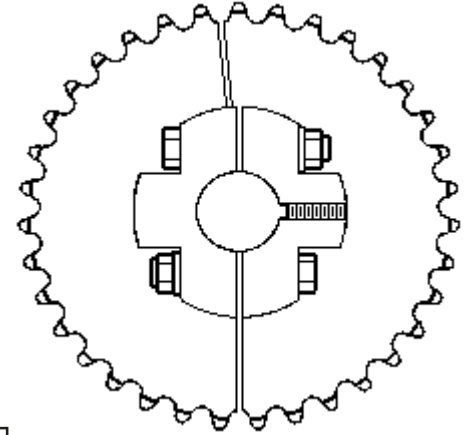
RYLE Manufacturing Company 1-800-433-0960

Split Sprockets

SPLIT HUBS FOR USE WITH TYPE A PLATE (SINGLE STRAND) SPROCKETS ONLY

| RYLE P/N | MIN BORE | RANGE | MAX BORE | LIST TYPE B | LIST TYPE C | HUB DIA. | LTB (*) | BOLT SIZE | LBS. |
|----------|----------|-------|----------|-------------|-------------|----------|-----------|-------------|------|
| S-1 | 3/4 | - | 1-1/2 | 334.00 | 400.00 | 3-1/8 | 1-1/8 | 3/8 x 2-1/4 | 1 |
| S-2 | 1-3/8 | - | 2-1/4 | 368.00 | 468.00 | 4-3/8 | 1-3/8 | 1/2 x 2-3/4 | 5 |
| S-3 | 2 | - | 3 | 436.00 | 600.00 | 6 | 1-3/8 | 5/8 x 4-1/2 | 12 |
| S-4 | 2-3/4 | - | 4 | 568.00 | 866.00 | 7-5/8 | 1-3/4 | 3/4 x 5-1/2 | 22 |
| S-5 | 3-3/4 | - | 5 | 636.00 | 1168.00 | 9-1/4 | 2-1/4 | 1 x 6 | 36 |
| S-6 | 4-3/4 | - | 6 | 932.00 | 1600.00 | 10-1/4 | 2-1/4 | 1 x 6-1/2 | 48 |
| S-7 | 5-3/4 | - | 7 | 1200.00 | 1866.00 | 12-1/2 | 2-3/4 | 1 x 7 | 64 |
| S-8 | 6-1/4 | - | 8 | 1680.00 | 2168.00 | 14-1/2 | 3-1/2 | 1 x 8 | 99 |

(*) Indicates thickness prior to machining. Finished thickness approximately 1/16" to 3/16" thinner.



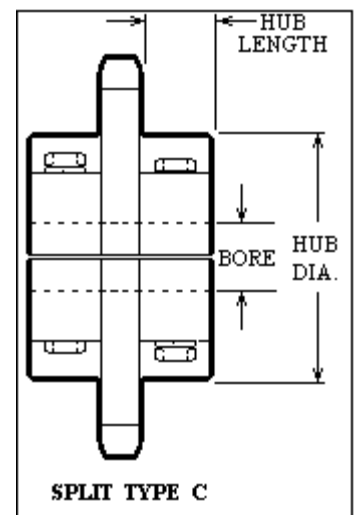
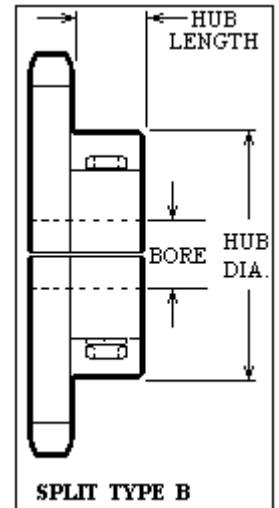
MINIMUM NUMBER OF TEETH (CHART)

for use with split hubs and single row sprockets

| CHAIN No. | CHAIN PITCH | S-1 | S-2 | S-3 | S-4 | S-5 | S-6 | S-7 | S-8 |
|-----------|-------------|-----|-----|-----|-----|-----|-----|-----|-----|
| 35 | 0.375 | 32 | 43 | 59 | | | | | |
| 41 | 0.500 | 24 | 32 | 45 | | | | | |
| 40 | 0.500 | 25 | 33 | 46 | 56 | 64 | 72 | | |
| 50 | 0.625 | 21 | 27 | 37 | 45 | 52 | 58 | | |
| 60 | 0.750 | 18 | 23 | 31 | 38 | 44 | 49 | | |
| 80 | 1.000 | 14 | 18 | 24 | 30 | 34 | 38 | | |
| 100 | 1.250 | 12 | 15 | 20 | 24 | 28 | 31 | 38 | 43 |
| 120 | 1.500 | 11 | 13 | 17 | 21 | 24 | 26 | 32 | 36 |
| 140 | 1.750 | 10 | 12 | 16 | 18 | 21 | 23 | 26 | 32 |
| 160 | 2.000 | 9 | 11 | 14 | 16 | 19 | 21 | 25 | 28 |
| 180 | 2.250 | 9 | 10 | 13 | 15 | 17 | 16 | 22 | 25 |
| 200 | 2.500 | 8 | 9 | 12 | 14 | 16 | 17 | 21 | 23 |
| 240 | 3.000 | | 11 | 12 | 14 | 15 | 18 | 20 | |
| 2040 | 1.000 | 28 | 36 | 51 | 62 | 70 | 79 | | |
| 2042 | 1.000 | 14 | 18 | 24 | 30 | 34 | 38 | | |
| 2050 | 1.250 | 23 | 30 | 41 | 50 | 57 | 64 | | |
| 2052 | 1.250 | 12 | 15 | 20 | 24 | 28 | 31 | 38 | 43 |
| 2060 | 1.500 | 20 | 25 | 34 | 42 | 48 | 54 | | |
| 2062 | 1.500 | 11 | 13 | 17 | 21 | 24 | 26 | 32 | 36 |
| 2080 | 2.000 | 16 | 20 | 27 | 33 | 37 | 42 | | |
| 2082 | 2.000 | | 11 | 14 | 16 | 19 | 21 | 25 | 28 |
| 62 | 1.654 | 9 | 12 | 15 | 18 | 21 | 23 | 27 | 31 |
| 78 | 2.609 | 7 | 8 | 10 | 12 | 14 | 15 | 18 | 20 |
| 1568 | 3.067 | | 8 | 10 | 12 | 13 | 14 | 16 | 18 |
| 1030 | 3.075 | | 8 | 9 | 11 | 13 | 14 | 16 | 18 |
| 82 | 3.075 | | 7 | 9 | 11 | 12 | 13 | 15 | 17 |
| 238 | 3.500 | | 8 | 9 | 10 | 12 | 13 | 15 | 16 |
| 124 | 4.000 | | 6 | 7 | 9 | 10 | 11 | 12 | 14 |
| 1240 | 4.063 | | 7 | 8 | 9 | 10 | 11 | 13 | 14 |
| 635 | 4.500 | | | 8 | 9 | 10 | 11 | 12 | 14 |
| 1207 | 5.000 | | | | 8 | 9 | 10 | 11 | 13 |
| 132 | 6.050 | | | | | 7 | 8 | 9 | 10 |

MACHINE CUT TEETH

FLAME CUT





RYLE Manufacturing Company 1-800-433-0960

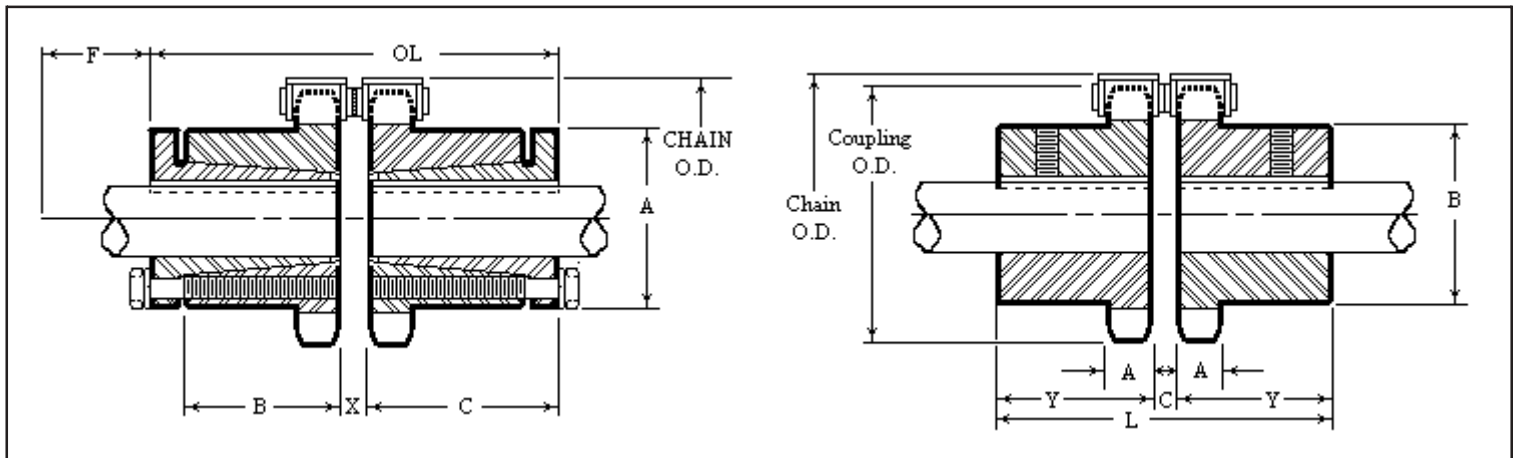
QD[®] & Stock Bore Chain Coupling Halves

| RYLE P/N | LIST PRICE | *MAX* BORE | A | B | DIMENSIONS | | OL | CHAIN O.D. | F** | LBS. |
|----------|------------|------------|---------|-------|------------|-------|---------|------------|-------|------|
| | | | | | C | X | | | | |
| 4016JA | 52.60 | 1 | 2 | 7/8 | 1-5/16 | 9/32 | 2-29/32 | 3-1/32 | 1-1/4 | .9 |
| 5018SH | 75.60 | 1-1/4 | 2-21/32 | 1 | 1-1/2 | 3/8 | 3-3/8 | 4-3/16 | 1-3/4 | 1.3 |
| 6020SK | 130.40 | 2 | 3-7/8 | 1-1/4 | 1-7/8 | 7/16 | 4-3/16 | 5-1/2 | 2-1/4 | 2.5 |
| 8018SF | 243.20 | 2-1/4 | 4-9/16 | 1-3/4 | 2-3/8 | 37/64 | 5-21/64 | 6-21/32 | 2-1/4 | 5.3 |

* Maximum bore * listed above is the maximum bore of the QD bushing with standard keyway. For best results it is recommended that this maximum not be exceeded in both halves of a coupling.

**Minimum clearance required to remove coupling using screws provided as jack screws.

All coupling halves have Induction Hardened Teeth



| | |
|-----------------|---------|
| Rebore | \$49.00 |
| Keyway | \$13.40 |
| Setscrew (each) | \$13.40 |

| RYLE P/N | LIST PRICE | STOCK BORE | MAX BORE | LBS | RECOMMENDED MAXIMUM RPM |
|----------|------------|------------|----------|------|-------------------------|
| 4012 | 36.20 | 1/2 | 7/8 | .5 | 5000 |
| 4016 | 44.40 | 5/8 | 1-5/16 | 1.0 | 5000 |
| 5016 | 60.40 | 5/8 | 1-11/16 | 2.0 | 4000 |
| 5018 | 67.20 | 3/4 | 2 | 2.3 | 3600 |
| 6018 | 95.60 | 1 | 2-7/16 | 5.0 | 3000 |
| 6020 | 120.40 | 1 | 2-3/4 | 6.5 | 2500 |
| 6022 | 181.00 | 1 | 3 | 9.4 | 2500 |
| 8018 | 224.80 | 1 | 3-1/8 | 11.0 | 2000 |
| 8020 | 261.00 | 1-1/2 | 3-9/16 | 16.3 | 2000 |
| 10018 | 505.00 | 1-1/2 | 3-7/8 | 20.3 | 1800 |
| 10020 | 598.20 | 1-1/2 | 4-5/8 | 31.8 | 1800 |
| 12018 | 859.40 | 2 | 4-11/16 | 36.8 | 1500 |
| 12022 | 1488.00 | 2 | 6-1/8 | 70.0 | 1200 |

All coupling halves have Induction Hardened Teeth

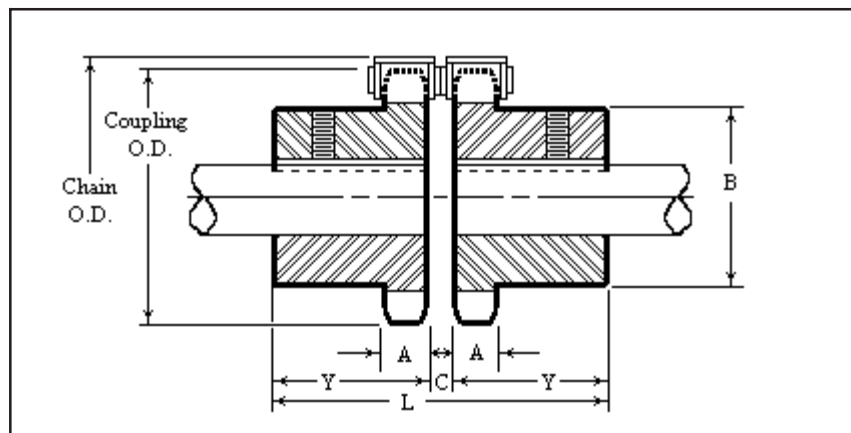


RYLE Manufacturing Company 1-800-433-0960

Bored to Size Chain Coupling Halves

| RYLE P/N | LIST PRICE | TEETH O.D. | CHAIN O.D. | A | DIMENSIONS | | | | AVAILABLE BORE SIZES WITH STANDARD KEY & 2)SS |
|----------|------------|------------|------------|------|------------|---------|---------|-------|---|
| | | | | | B | Y | L | C | |
| 4012 | 42.00 | 1.98 | 2-13/32 | .275 | 1-13/32 | 1-1/8 | 2-17/32 | 9/32 | 1/2 5/8 3/4 |
| 4016 | 49.80 | 2.68 | 3-1/32 | .275 | 1-31/32 | 1-1/8 | 2-17/32 | 9/32 | 5/8 3/4 7/8 1 1-1/8 1-3/16 1-1/4 |
| 5016 | 66.40 | 3.29 | 3-25/32 | .332 | 2-1/2 | 1-7/16 | 3-1/4 | 3/8 | 3/4 7/8 1 1-1/8 1-3/16 1-1/4 1-3/8 1-7/16 1-1/2 1-5/8 |
| 5018 | 73.60 | 3.70 | 4-3/16 | .332 | 2-31/32 | 1-11/16 | 3-3/4 | 3/8 | 3/4 7/8 1 1-1/8 1-3/16 1-1/4 1-3/8 1-7/16 1-1/2 1-5/8 1-3/4 1-7/8 1-15/16 |
| 6018 | 104.20 | 4.47 | 5 | .444 | 3-1/2 | 1-7/8 | 4-3/16 | 7/16 | 1 1-1/8 1-3/16 1-1/4 1-3/8 1-7/16 1-1/2 1-5/8 1-3/4 1-7/8 1-15/16 2 2-1/8 2-3/16 2-1/4 2-3/8 2-7/16 |
| 6020 | 127.60 | 4.99 | 5-1/2 | .444 | 3-7/8 | 2 | 4-7/16 | 7/16 | 1 1-1/8 1-1/4 1-1/2 1-3/4 1-15/16 2-1/8 2-3/8 2-7/16 2-5/8 |
| 6022 | 188.40 | 5.45 | 5-61/64 | .444 | 4-1/2 | 2-1/8 | 4-11/16 | 7/16 | 1 1-1/8 1-3/4 1-7/8 1-15/16 2-1/8 2-3/8 2-7/16 2-5/8 2-3/4 2-7/8 |
| 8018 | 239.20 | 5.95 | 6-21/32 | .557 | 4-9/16 | 2-3/8 | 5-21/64 | 37/64 | 1 1-1/8 1-3/4 1-15/16 2 2-1/8 2-3/8 2-7/16 2-5/8 2-7/8 2-15/16 |
| 8020 | 285.20 | 6.60 | 7-19/64 | .557 | 5-3/8 | 2-5/8 | 5-53/64 | 37/64 | 1-1/2 2-3/16 2-7/16 2-11/16 2-15/16 3-1/8 3-3/8 3-15/16 |
| 10018 | 547.20 | 7.50 | 8-21/64 | .669 | 5-11/16 | 2-3/4 | 6-7/32 | 23/32 | 1-1/2 2-7/16 2-7/8 2-15/16 3-7/16 |
| 10020 | 644.40 | 8.25 | 9-1/8 | .669 | 6-23/32 | 3-1/8 | 6-31/32 | 23/32 | 2 3-3/8 3-7/16 3-15/16 |
| 12018 | 949.00 | 8.86 | 10 | .894 | 6-3/4 | 3-1/2 | 7-7/8 | 55/64 | 3-7/16 3-15/16 4-7/16 |
| 12022 | 1589.60 | 10.86 | 11-57/64 | .894 | 6-3/4 | 4 | 8-7/8 | 55/64 | 4-3/8 4-7/16 4-15/16 |

All couplings have Induction Hardened Teeth

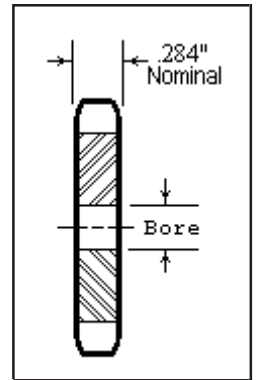




RYLE Manufacturing Company 1-800-433-0960

2040 Extended Pitch 1" Pitch

| RYLE P/N | LIST PRICE | O.D. TEETH | P.D. TEETH | STOCK BORE | MAX BORE | HUB DIA. | LTB | LBS. | RYLE P/N | LIST PRICE | LBS. |
|----------|------------|------------|------------|------------|----------|-----------|-----|------|----------|------------|------|
| 2040B11 | 27.20 | 2.00 | 1.852 | 1/2 | 13/16 | 1-3/8 * | 7/8 | .34 | | | |
| 2040B12 | 29.00 | 2.17 | 2.000 | | | 1-9/16 * | | .44 | | | |
| 2040B13 | 29.80 | 2.32 | 2.152 | | | 1-9/16 * | | .48 | | | |
| 2040B14 | 31.60 | 2.49 | 2.305 | | 1 | 1-11/16 * | | .60 | | | |
| 2040B15 | 33.40 | 2.64 | 2.458 | 5/8 | 1-7/32 | 1-23/32 | | .66 | | | |
| 2040B16 | 34.80 | 2.81 | 2.613 | | 1-9/32 | 1-7/8 | | .76 | | | |
| 2040B17 | 36.60 | 2.97 | 2.768 | | 1-5/16 | 2-1/16 | 1 | 1.00 | | | |
| 2040B18 | 40.40 | 3.14 | 2.924 | | 1-15/32 | 2-3/16 | 1 | 1.16 | | | |
| 2040B19 | 45.00 | 3.29 | 3.080 | | 1-5/8 | 2-3/8 | 1 | 1.36 | | | |
| 2040B20 | 50.60 | 3.46 | 3.236 | | 1-3/4 | 2-1/2 | 1 | 1.54 | | | |
| 2040B21 | 56.00 | 3.61 | 3.392 | | | | 1 | 1.65 | | | |
| 2040B22 | 61.80 | 3.78 | 3.548 | | | 2-7/8 | 1 | 2.00 | | | |
| 2040B23 | 69.00 | 3.93 | 3.706 | | 2 | 3 | 1 | 2.16 | 2040A23 | 34.80 | .77 |
| 2040B24 | 71.60 | 4.10 | 3.864 | | 2-1/4 | 3-1/4 | 1 | 2.25 | 2040A24 | 36.00 | .84 |
| 2040B25 | 75.20 | 4.26 | 4.021 | | | | 1 | 2.30 | 2040A25 | 41.00 | .91 |
| 2040B26 | 81.00 | 4.42 | 4.179 | | | | 1 | 2.40 | 2040A26 | 44.20 | 1.00 |
| 2040B28 | 86.80 | 4.74 | 4.494 | | | | 1 | 2.55 | 2040A28 | 47.20 | 1.10 |
| 2040B30 | 89.40 | 5.06 | 4.810 | 5/8 | 2-1/4 | 3-1/4 | 1 | 2.74 | 2040A30 | 50.40 | 1.30 |



* Indicates hub diameter is grooved for chain clearance.

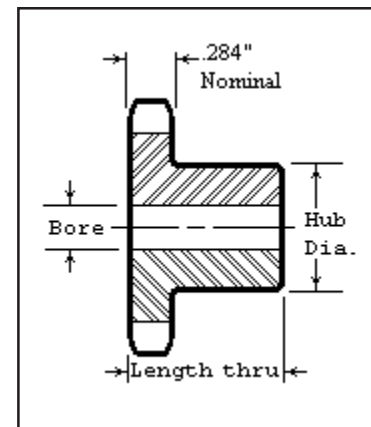
Maximum bores will accommodate standard keyway and setscrew over key.

Multiple keyways must be priced at factory.

| | |
|-------------------------------|---------------------|
| Split Type A plate | \$ 2.76 |
| per inch of sprocket diameter | |
| Rebore | \$49.00 |
| Keyway | \$13.40 |
| Setscrew (each) | \$13.40 |
| Harden per tooth | \$.94 (2040) |
| Harden per tooth | \$ 1.78 (2042) |
| Drill Type A plate | (4) holes = \$28.00 |
| | (6) holes = \$42.00 |
| | (8) holes = \$56.00 |

2042 Extended Pitch 1" Pitch

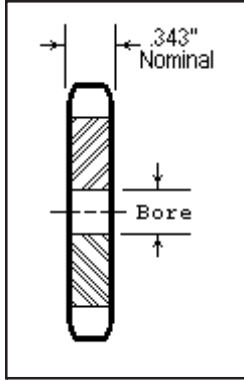
| RYLE P/N | LIST PRICE | O.D. TEETH | P.D. TEETH | STOCK BORE | MAX BORE | HUB DIA. | LTB | LBS. | RYLE P/N | LIST PRICE | LBS. |
|----------|------------|------------|------------|------------|----------|----------|-------|------|----------|------------|------|
| 2042B8 | 31.60 | 3.01 | 2.613 | 5/8 | 1-9/32 | 1-7/8 | 7/8 | .72 | | | |
| 2042B9 | 40.00 | 3.35 | 2.924 | | 1-15/32 | 2-7/32 | | 1.02 | | | |
| 2042B10 | 51.20 | 3.68 | 3.236 | | 1-3/4 | 2-35/64 | 1 | 1.50 | | | |
| 2042B11 | 62.40 | 4.01 | 3.549 | | 1-7/8 | 2-5/8 | 1 | 1.68 | | | |
| 2042B12 | 71.60 | 4.33 | 3.864 | | 2-1/4 | 3-1/16 | 1 | 2.22 | | | |
| 2042B13 | 79.60 | 4.66 | 4.179 | | | 3-1/4 | 1 | 2.56 | | | |
| 2042B14 | 84.60 | 4.98 | 4.494 | | | | 1 | 2.72 | | | |
| 2042B15 | 89.40 | 5.31 | 4.810 | | | | 1 | 2.90 | | | |
| 2042B16 | 90.80 | 5.63 | 5.126 | | | | 1 | 3.10 | 2042A16 | 49.00 | 1.38 |
| 2042B17 | 94.40 | 5.95 | 5.442 | | | | 1 | 3.40 | 2042A17 | 52.40 | 1.66 |
| 2042B18 | 98.00 | 6.27 | 5.759 | | | | 1 | 3.56 | 2042A18 | 55.60 | 1.88 |
| 2042B19 | 101.40 | 6.59 | 6.076 | | | | 1 | 3.72 | 2042A19 | 58.20 | 2.06 |
| 2042B20 | 105.00 | 6.91 | 6.392 | 3/4 | 2-3/8 | 3-1/2 | 1-1/8 | 4.72 | 2042A20 | 59.60 | 2.40 |
| 2042B21 | 108.60 | 7.24 | 6.710 | | | | | 4.84 | 2042A21 | 61.40 | 2.62 |
| 2042B22 | 110.80 | 7.56 | 7.027 | | | | | 5.18 | 2042A22 | 64.20 | 2.88 |
| 2042B23 | 114.40 | 7.88 | 7.344 | | | | | 5.34 | 2042A23 | 65.40 | 3.14 |
| 2042B24 | 115.60 | 8.20 | 7.661 | | | | | 5.58 | 2042A24 | 69.40 | 3.22 |
| 2042B25 | 118.40 | 8.52 | 7.979 | | | | | 5.96 | 2042A25 | 71.60 | 3.50 |
| 2042B26 | 123.20 | 8.84 | 8.296 | | | | | 6.22 | 2042A26 | 79.60 | 3.74 |
| 2042B28 | 128.20 | 9.48 | 8.931 | | | | | 6.78 | 2042A28 | 82.80 | 4.76 |
| 2042B30 | 131.80 | 10.11 | 9.567 | 3/4 | 2-3/8 | 3-1/2 | 1-1/8 | 7.56 | 2042A30 | 87.20 | 5.08 |





RYLE Manufacturing Company 1-800-433-0960

2050 Extended Pitch 1-1/4" Pitch



| RYLE P/N | LIST PRICE | O.D. TEETH | P.D. TEETH | STOCK BORE | MAX BORE | HUB DIA. | LTB | LBS. | RYLE P/N | LIST PRICE | LBS. |
|----------|------------|------------|------------|------------|----------|----------|-------|------|----------|------------|------|
| 2050B11 | 39.20 | 2.50 | 2.315 | 5/8 | 13/16 | 1-3/4 * | 1 | .62 | | | |
| 2050B12 | 41.40 | 2.71 | 2.500 | | 1 | 1-7/8 * | 1 | .80 | | | |
| 2050B13 | 43.20 | 2.91 | 2.690 | | 1-7/32 | 1-15/16* | 1 | .82 | | | |
| 2050B14 | 45.00 | 3.11 | 2.881 | | 1-9/32 | 2 * | 1 | 1.00 | | | |
| 2050B15 | 46.20 | 3.32 | 3.073 | | 1-7/16 | 2-1/8 | 1 | 1.22 | | | |
| 2050B16 | 49.80 | 3.52 | 3.266 | | 1-19/32 | 2-5/16 | 1 | 1.44 | | | |
| 2050B17 | 53.80 | 3.72 | 3.460 | | 1-3/4 | 2-9/16 | 1 | 1.68 | | | |
| 2050B18 | 58.20 | 3.92 | 3.655 | | 1-25/32 | 2-3/4 | 1 | 1.94 | | | |
| 2050B19 | 61.80 | 4.12 | 3.850 | | 1-31/32 | 2-7/8 | 1 | 2.24 | | | |
| 2050B20 | 69.40 | 4.32 | 4.045 | | 2 | 3 | 1 | 2.30 | | | |
| 2050B21 | 75.20 | 4.52 | 4.241 | 3/4 | | | 1-1/4 | 2.40 | 2050A21 | 47.20 | 1.2 |
| 2050B22 | 81.00 | 4.72 | 4.437 | | | | | 2.54 | 2050A22 | 48.00 | 1.3 |
| 2050B23 | 86.80 | 4.92 | 4.633 | | | | | 2.66 | 2050A23 | 49.00 | 1.4 |
| 2050B24 | 93.00 | 5.12 | 4.830 | | | | | 3.30 | 2050A24 | 49.80 | 1.6 |
| 2050B25 | 99.20 | 5.32 | 5.026 | | | | | 3.42 | 2050A25 | 51.20 | 1.7 |
| 2050B26 | 103.60 | 5.52 | 5.223 | | | | | 3.62 | 2050A26 | 53.80 | 1.8 |
| 2050B28 | 106.80 | 5.92 | 5.617 | | | | | 3.78 | 2050A28 | 57.00 | 2.1 |
| 2050B30 | 109.40 | 6.32 | 6.012 | | | | | 4.58 | 2050A30 | 59.60 | 2.5 |

* Indicates hub diameter is grooved for chain clearance.

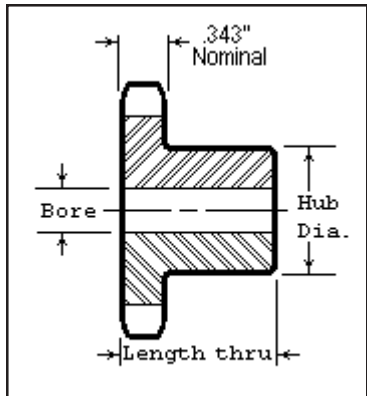
Split Type A plate \$ 2.76
per inch of sprocket diameter

Rebore \$49.00
Keyway \$13.40
Setscrew (each) \$13.40
Harden per tooth \$ 1.02 (2050)
Harden per tooth \$ 2.44 (2052)
Drill Type A plate (4) holes = \$28.00
(6) holes = \$42.00
(8) holes = \$56.00

Maximum bores will accommodate standard keyway and setscrew over key.

Multiple keyways must be priced at factory.

2052 Extended Pitch 1-1/4" Pitch



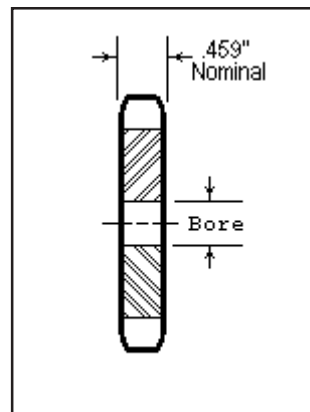
| RYLE P/N | LIST PRICE | O.D. TEETH | P.D. TEETH | STOCK BORE | MAX BORE | HUB DIA. | LTB | LBS. | RYLE P/N | LIST PRICE | LBS. |
|----------|------------|------------|------------|------------|----------|----------|-------|-------|----------|------------|------|
| 2052B8 | 50.60 | 3.77 | 3.266 | 5/8 | 1-19/32 | 2-23/64 | 1 | 1.38 | | | |
| 2052B9 | 58.80 | 4.18 | 3.655 | | 1-25/32 | 2-25/32 | 1 | 1.92 | | | |
| 2052B10 | 69.40 | 4.60 | 4.045 | | 2 | 3 | 1 | 2.30 | | | |
| 2052B11 | 81.00 | 5.01 | 4.437 | | | | 1 | 2.54 | | | |
| 2052B12 | 90.80 | 5.42 | 4.830 | 3/4 | | | 1-1/4 | 3.20 | 2052A12 | 50.60 | 1.6 |
| 2052B13 | 101.80 | 5.82 | 5.223 | | | | | 3.48 | 2052A13 | 53.80 | 1.8 |
| 2052B14 | 106.80 | 6.23 | 5.617 | | | | | 3.88 | 2052A14 | 57.00 | 2.3 |
| 2052B15 | 109.40 | 6.63 | 6.012 | | 2-1/4 | 3-1/4 | | 4.46 | 2052A15 | 59.60 | 2.4 |
| 2052B16 | 114.40 | 7.03 | 6.407 | | | | | 4.80 | 2052A16 | 64.20 | 2.8 |
| 2052B17 | 119.20 | 7.44 | 6.803 | | | | | 5.34 | 2052A17 | 67.60 | 3.3 |
| 2052B18 | 122.80 | 7.84 | 7.198 | | | | | 5.64 | 2052A18 | 70.40 | 3.6 |
| 2052B19 | 130.00 | 8.24 | 7.595 | | | | | 6.04 | 2052A19 | 73.80 | 4.1 |
| 2052B20 | 132.60 | 8.64 | 7.991 | | | | | 6.48 | 2052A20 | 76.20 | 4.7 |
| 2052B21 | 136.20 | 9.04 | 8.387 | | | | | 7.00 | 2052A21 | 78.80 | 5.0 |
| 2052B22 | 139.60 | 9.44 | 8.783 | | | | | 7.30 | 2052A22 | 83.60 | 5.2 |
| 2052B23 | 142.40 | 9.84 | 9.180 | 1 | 2-3/4 | 3-3/4 | | 8.66 | 2052A23 | 86.80 | 5.7 |
| 2052B24 | 148.20 | 10.25 | 9.577 | 1 | | | | 9.32 | 2052A24 | 90.80 | 6.7 |
| 2052B25 | 156.60 | 10.65 | 9.973 | 1 | | | | 10.30 | 2052A25 | 95.60 | 7.5 |
| 2052B26 | 162.40 | 11.05 | 10.370 | 1 | | | | 11.00 | 2052A26 | 101.00 | 8.2 |
| 2052B28 | 173.60 | 11.84 | 11.164 | 1 | | | | 11.70 | 2052A28 | 110.80 | 8.7 |
| 2052B30 | 183.80 | 12.64 | 11.958 | 1 | | | | 12.90 | 2052A30 | 118.40 | 9.8 |



RYLE Manufacturing Company 1-800-433-0960

2060 Extended Pitch 1-1/2" Pitch

| RYLE P/N | LIST PRICE | O.D. TEETH | P.D. TEETH | STOCK BORE | MAX BORE | HUB DIA. | LTB | LBS. | RYLE P/N | LIST PRICE | LBS. |
|----------|------------|------------|------------|------------|----------|----------|-------|------|----------|------------|------|
| 2060B11 | 43.20 | 3.00 | 2.773 | 3/4 | 1 | 2-1/16* | 1-1/4 | 1.14 | | | |
| 2060B12 | 46.20 | 3.25 | 3.000 | | 1-3/8 | 2-1/4* | | 1.46 | | | |
| 2060B13 | 50.60 | 3.48 | 3.228 | | 1-7/16 | 2-5/16* | | 1.52 | | | |
| 2060B14 | 57.00 | 3.74 | 3.457 | | 1-5/8 | 2-1/2* | | 1.86 | | | |
| 2060B15 | 62.40 | 3.96 | 3.688 | | 1-3/4 | 2-1/2 | | 2.24 | | | |
| 2060B16 | 69.40 | 4.22 | 3.920 | | 1-7/8 | 2-3/4 | | 2.64 | | | |
| 2060B17 | 73.80 | 4.45 | 4.152 | | 2-3/32 | 3-3/32 | | 3.08 | | | |
| 2060B18 | 85.80 | 4.70 | 4.386 | | 2-1/4 | 3-1/4 | | 3.56 | | | |
| 2060B19 | 89.40 | 4.94 | 4.620 | | | | 1-1/2 | 3.94 | 2060A19 | 57.60 | 2.1 |
| 2060B20 | 93.80 | 5.19 | 4.854 | | | | | 4.50 | 2060A20 | 58.40 | 2.4 |
| 2060B21 | 98.80 | 5.42 | 5.089 | | | | | 5.02 | 2060A21 | 60.20 | 2.5 |
| 2060B22 | 104.20 | 5.67 | 5.324 | | | | | 5.26 | 2060A22 | 62.00 | 2.7 |
| 2060B23 | 109.40 | 5.90 | 5.560 | | | | | 5.54 | 2060A23 | 63.80 | 3.0 |
| 2060B24 | 118.40 | 6.15 | 5.796 | | | | | 5.90 | 2060A24 | 65.40 | 3.2 |
| 2060B25 | 127.60 | 6.38 | 6.032 | | | | | 6.08 | 2060A25 | 66.80 | 3.3 |
| 2060B26 | 138.40 | 6.63 | 6.268 | | | | | 6.36 | 2060A26 | 71.60 | 3.5 |
| 2060B28 | 142.40 | 7.11 | 6.741 | | | | | 7.02 | 2060A28 | 75.20 | 4.0 |
| 2060B30 | 146.00 | 7.59 | 7.215 | | | | | 7.54 | 2060A30 | 78.80 | 4.7 |



* Indicates hub diameter is grooved for chain clearance.

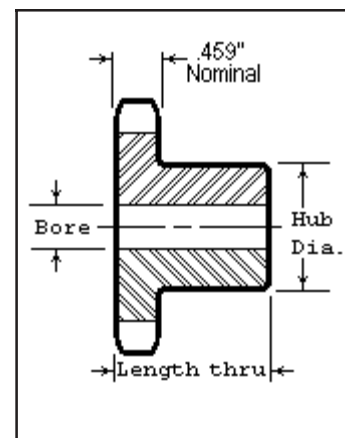
Maximum bores will accommodate standard keyway and setscrew over key.

Multiple keyways must be priced at factory.

| | |
|-------------------------------|---------------------|
| Split Type A plate | \$ 3.42 |
| per inch of sprocket diameter | |
| Rebore | \$49.00 |
| Keyway | \$13.40 |
| Setscrew (each) | \$13.40 |
| Harden per tooth | \$ 1.56 (2060) |
| Harden per tooth | \$ 3.06 (2062) |
| Drill Type A plate | (4) holes = \$28.00 |
| | (6) holes = \$42.00 |
| | (8) holes = \$56.00 |

2062 Extended Pitch 1-1/2" Pitch

| RYLE P/N | LIST PRICE | O.D. TEETH | P.D. TEETH | STOCK BORE | MAX BORE | HUB DIA. | LTB | LBS. | RYLE P/N | LIST PRICE | LBS. |
|----------|------------|------------|------------|------------|----------|----------|-------|------|----------|------------|------|
| 2062B8 | 70.40 | 4.52 | 3.920 | 3/4 | 1-27/32 | 2-27/32 | 1-1/4 | 2.6 | 2062A8 | 53.80 | 1.7 |
| 2062B9 | 78.80 | 5.02 | 4.386 | | 2-9/32 | 3-11/32 | | 3.5 | | | |
| 2062B10 | 95.60 | 5.52 | 4.854 | | 2-9/16 | 3-53/64 | | 4.5 | 2062A10 | 58.00 | 2.3 |
| 2062B11 | 106.80 | 6.01 | 5.324 | | 2-3/8 | 3-1/2 | | 5.2 | 2062A11 | 63.00 | 2.5 |
| 2062B12 | 118.40 | 6.50 | 5.796 | | 2-3/4 | 4 | 1-1/2 | 5.7 | 2062A12 | 66.20 | 3.0 |
| 2062B13 | 132.60 | 6.99 | 6.268 | | | | | 6.3 | 2062A13 | 69.40 | 3.6 |
| 2062B14 | 138.80 | 7.47 | 6.741 | | | | | 6.8 | 2062A14 | 73.80 | 4.0 |
| 2062B15 | 146.00 | 7.96 | 7.215 | | | | | 7.5 | 2062A15 | 78.80 | 4.7 |
| 2062B16 | 149.60 | 8.44 | 7.689 | | | | | 8.2 | 2062A16 | 85.40 | 5.7 |
| 2062B17 | 154.00 | 8.92 | 8.163 | | | | | 8.8 | 2062A17 | 90.80 | 6.1 |
| 2062B18 | 161.60 | 9.41 | 8.638 | | | | | 9.4 | 2062A18 | 96.60 | 7.0 |
| 2062B19 | 168.20 | 9.89 | 9.113 | 1 | | 4-1/4 | | 11.1 | 2062A19 | 101.40 | 8.0 |
| 2062B20 | 178.00 | 10.37 | 9.589 | 1 | | | | 11.7 | 2062A20 | 104.40 | 8.5 |
| 2062B21 | 197.60 | 10.85 | 10.064 | 1 | | | | 13.2 | 2062A21 | 109.40 | 8.9 |
| 2062B22 | 202.80 | 11.33 | 10.540 | 1 | | | | 13.8 | 2062A22 | 115.60 | 10.7 |
| 2062B23 | 209.60 | 11.81 | 11.016 | 1 | | | | 14.9 | 2062A23 | 122.80 | 11.6 |
| 2062B24 | 223.40 | 12.29 | 11.492 | 1 | | | | 15.7 | 2062A24 | 137.60 | 12.6 |
| 2062B25 | 245.20 | 12.77 | 11.968 | 1 | | | | 16.8 | 2062A25 | 153.20 | 13.8 |
| 2062B26 | 264.80 | 13.25 | 12.444 | 1 | | | | 20.2 | 2062A26 | 161.60 | 15.0 |
| 2062B28 | 282.00 | 14.21 | 13.397 | 1 | | | | 21.9 | 2062A28 | 178.40 | 17.3 |
| 2062B30 | 287.00 | 15.17 | 14.350 | 1 | | | | 26.0 | 2062A30 | 192.20 | 19.5 |

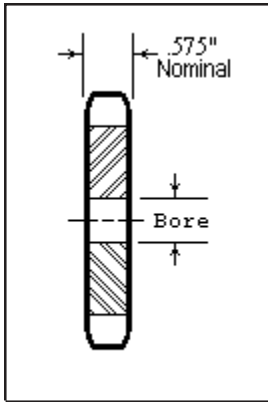




RYLE Manufacturing Company 1-800-433-0960

2080 Extended Pitch 2" Pitch

| RYLE P/N | LIST PRICE | O.D. TEETH | P.D. TEETH | STOCK BORE | MAX BORE | HUB DIA. | LTB | LBS. | RYLE P/N | LIST PRICE | LBS. |
|----------|------------|------------|------------|------------|----------|-----------|-------|------|----------|------------|------|
| 2080B11 | 79.00 | 4.01 | 3.694 | 1 | 1-1/2 | 2-13/16 * | 1-5/8 | 2.5 | | | |
| 2080B12 | 85.40 | 4.33 | 4.000 | 1 | 1-3/4 | 3-1/8 * | | 3.2 | | | |
| 2080B13 | 91.60 | 4.64 | 4.304 | 1 | 1-7/8 | 2-25/32 | 1-1/2 | 3.3 | | | |
| 2080B14 | 98.40 | 4.98 | 4.610 | 1 | 2-1/8 | 3-1/8 | | 4.0 | | | |
| 2080B15 | 103.60 | 5.29 | 4.917 | 1 | 2-3/8 | 3-7/16 | | 4.8 | | | |
| 2080B16 | 117.60 | 5.63 | 5.226 | 1 | 2-1/4 | 3-1/4 | | 5.7 | 2080A16 | 63.80 | 3.1 |
| 2080B17 | 133.20 | 5.94 | 5.536 | 1 | | | | 6.4 | 2080A17 | 71.80 | 3.5 |
| 2080B18 | 151.40 | 6.27 | 5.848 | 1 | | | | 7.4 | 2080A18 | 76.20 | 4.0 |
| 2080B19 | 170.60 | 6.58 | 6.160 | 1 | 2-3/4 | 4 | | 7.7 | 2080A19 | 80.00 | 4.4 |
| 2080B20 | 183.80 | 6.91 | 6.472 | 1 | | | 1-3/4 | 8.3 | 2080A20 | 85.40 | 4.7 |
| 2080B21 | 196.80 | 7.23 | 6.785 | 1 | | | | 8.4 | 2080A21 | 88.60 | 5.1 |
| 2080B22 | 205.00 | 7.56 | 7.099 | 1 | | | | 10.0 | 2080A22 | 93.00 | 5.6 |
| 2080B23 | 213.60 | 7.87 | 7.413 | 1 | | | | 10.5 | 2080A23 | 98.00 | 6.2 |
| 2080B24 | 218.00 | 8.20 | 7.727 | 1 | | | | 11.1 | 2080A24 | 102.20 | 6.6 |
| 2080B25 | 222.80 | 8.51 | 8.042 | 1 | | | | 12.0 | 2080A25 | 106.00 | 7.0 |
| 2080B26 | 232.00 | 8.84 | 8.357 | 1-1/4 | 3-1/4 | 4-3/4 | 2 | 14.9 | 2080A26 | 112.40 | 7.9 |
| 2080B28 | 242.00 | 9.48 | 8.988 | | | | | 16.6 | 2080A28 | 124.00 | 9.0 |
| 2080B30 | 259.40 | 10.11 | 9.620 | | | | | 17.8 | 2080A30 | 128.20 | 10.6 |



* Indicates hub diameter is grooved for chain clearance.

Split Type A plate \$ 3.42
per inch of sprocket diameter

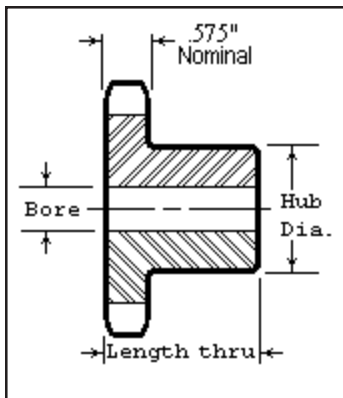
Rebore \$49.00
Keyway \$13.40
Setscrew (each) \$13.40
Harden per tooth \$ 1.78 (2080)
Harden per tooth \$ 4.36 (2082)
Drill Type A plate (4) holes = \$28.00
(6) holes = \$42.00
(8) holes = \$56.00

Maximum bores will accommodate standard keyway and setscrew over key.

Multiple keyways must be priced at factory.

2082 Extended Pitch 2" Pitch

| RYLE P/N | LIST PRICE | O.D. TEETH | P.D. TEETH | STOCK BORE | MAX BORE | HUB DIA. | LTB | LBS. | RYLE P/N | LIST PRICE | LBS. |
|----------|------------|------------|------------|------------|----------|----------|-------|------|----------|------------|------|
| 2082B8 | 116.60 | 6.03 | 5.226 | 1 | 2-17/32 | 3-51/64 | 1-3/4 | 6.4 | | | |
| 2082B9 | 148.00 | 6.70 | 5.848 | 1 | 2-3/4 | 4-1/4 | | 8.2 | | | |
| 2082B10 | 182.80 | 7.36 | 6.472 | 1 | | | | 9.2 | 2082A10 | 88.00 | 4.8 |
| 2082B11 | 204.40 | 8.01 | 7.099 | 1 | | | | 10.1 | 2082A11 | 94.00 | 5.7 |
| 2082B12 | 218.00 | 8.66 | 7.727 | 1 | | | | 11.2 | 2082A12 | 101.20 | 6.8 |
| 2082B13 | 228.60 | 9.32 | 8.357 | 1-1/4 | 3-1/4 | 4-3/4 | 2 | 15.0 | 2082A13 | 108.60 | 7.7 |
| 2082B14 | 246.40 | 9.96 | 8.988 | | | | | 15.8 | 2082A14 | 118.60 | 9.1 |
| 2082B15 | 258.00 | 10.61 | 9.620 | | | | | 17.8 | 2082A15 | 128.20 | 10.7 |
| 2082B16 | 277.80 | 11.26 | 10.252 | | | | | 19.3 | 2082A16 | 143.80 | 12.4 |
| 2082B17 | 295.60 | 11.90 | 10.885 | | | | | 21.4 | 2082A17 | 155.20 | 14.1 |
| 2082B18 | 315.80 | 12.54 | 11.518 | | | | | 22.9 | 2082A18 | 164.80 | 15.4 |
| 2082B19 | 341.40 | 13.19 | 12.151 | | | | | 24.4 | 2082A19 | 189.00 | 18.0 |
| 2082B20 | 350.00 | 13.83 | 12.785 | | | | | 26.7 | 2082A20 | 197.60 | 19.2 |
| 2082B21 | 355.40 | 14.47 | 13.419 | | | | | 28.4 | 2082A21 | 205.00 | 20.8 |
| 2082B22 | 393.00 | 15.11 | 14.053 | | | | | 29.6 | 2082A22 | 242.00 | 23.7 |
| 2082B23 | 409.80 | 15.75 | 14.688 | | | | | 32.2 | 2082A23 | 276.20 | 24.9 |
| 2082B24 | 435.80 | 16.39 | 15.323 | | | | | 34.9 | 2082A24 | 313.80 | 27.6 |
| 2082B25 | 473.40 | 17.03 | 15.958 | | | | | 37.8 | 2082A25 | 345.20 | 30.2 |
| 2082B26 | 493.20 | 17.67 | 16.593 | | 3-1/2 | 5-1/4 | | 41.5 | 2082A26 | 371.20 | 32.8 |
| 2082B28 | 552.00 | 18.95 | 17.863 | | | | | 47.7 | 2082A28 | 390.60 | 38.6 |
| 2082B30 | 601.60 | 20.23 | 19.134 | | | | | 54.5 | 2082A30 | 425.80 | 43.8 |





RYLE Manufacturing Company 1-800-433-0960

No. 2100 Extended Pitch 2-1/2" Pitch

2100 (3/4" Roller)

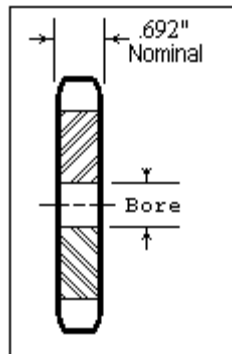
| RYLE P/N | LIST PRICE | O.D. TEETH | P.D. TEETH | STOCK BORE | LBS. |
|----------|------------|------------|------------|------------|------|
| 2100A15 | 92.20 | 6.61 | 6.146 | 1-1/4 | 5.9 |
| 2100A16 | 102.60 | 7.03 | 6.532 | | 6.8 |
| 2100A17 | 105.40 | 7.42 | 6.920 | | 7.8 |
| 2100A18 | 120.60 | 7.84 | 7.310 | | 8.4 |
| 2100A19 | 130.60 | 8.23 | 7.700 | | 9.5 |
| 2100A20 | 135.00 | 8.64 | 8.090 | | 10.1 |
| 2100A21 | 145.20 | 9.03 | 8.481 | | 11.0 |
| 2100A22 | 160.80 | 9.44 | 8.872 | | 12.6 |
| 2100A23 | 172.00 | 9.84 | 9.266 | | 13.2 |
| 2100A24 | 185.00 | 10.25 | 9.660 | | 14.6 |
| 2100A25 | 189.00 | 10.64 | 10.053 | | 15.3 |
| 2100A30 | 246.50 | 12.64 | 12.025 | 1-1/4 | 22.0 |

2102 (1-9/16" Roller)

| RYLE P/N | LIST PRICE | O.D. TEETH | P.D. TEETH | STOCK BORE | LBS. |
|----------|------------|------------|------------|------------|------|
| 2102A10 | 216.50 | 9.19 | 8.090 | 1-1/2 | 8 |
| 2102A11 | 231.90 | 10.02 | 8.872 | | 12 |
| 2102A12 | 270.70 | 10.83 | 9.660 | | 14 |
| 2102A13 | 286.20 | 11.64 | 10.447 | | 16 |
| 2102A14 | 309.30 | 12.45 | 11.235 | | 19 |
| 2102A15 | 355.90 | 13.26 | 12.025 | | 22 |
| 2102A16 | 394.40 | 14.07 | 12.815 | | 25 |
| 2102A17 | 429.10 | 14.87 | 13.605 | | 28 |
| 2102A18 | 456.10 | 15.67 | 14.397 | | 31 |
| 2102A19 | 479.50 | 16.48 | 15.190 | | 35 |
| 2102A20 | 502.70 | 17.28 | 15.982 | | 39 |
| 2102A25 | 812.00 | 21.29 | 19.947 | 1-1/2 | 60 |

Split Type A plate \$ 3.78
per inch of sprocket diameter

Rebore \$49.00
Keyway \$13.40
Setscrew (each) \$13.40
Harden per tooth \$ 2.44 (2100)
Harden per tooth \$ 5.32 (2102)
Drill Type A plate (4) holes = \$28.00
(6) holes = \$42.00
(8) holes = \$56.00



Single Duty sprockets available on Made To Order basis only
see Ryle Catalog page 94



RYLE Manufacturing Company 1-800-433-0960

No. 2120 Extended Pitch 3" Pitch

2120 (7/8" Roller)

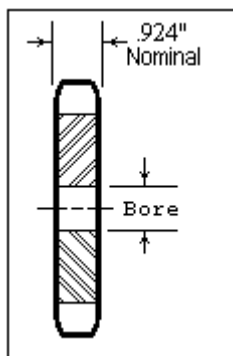
| RYLE P/N | LIST PRICE | O.D. TEETH | P.D. TEETH | STOCK BORE | LBS. |
|----------|------------|------------|------------|------------|------|
| 2120A15 | 212.50 | 7.93 | 7.376 | 1-1/2 | 10.0 |
| 2120A16 | 216.00 | 8.44 | 7.839 | | 11.5 |
| 2120A17 | 228.50 | 8.91 | 8.304 | | 13.1 |
| 2120A18 | 243.50 | 9.41 | 8.772 | | 14.6 |
| 2120A19 | 275.00 | 9.88 | 9.240 | | 16.2 |
| 2120A20 | 290.00 | 10.37 | 9.708 | | 18.0 |
| 2120A21 | 295.60 | 10.84 | 10.178 | | 20.5 |
| 2120A22 | 305.20 | 11.33 | 10.649 | | 23.1 |
| 2120A23 | 324.30 | 11.80 | 11.120 | | 25.6 |
| 2120A24 | 341.40 | 12.29 | 11.591 | | 27.7 |
| 2120A25 | 352.80 | 12.77 | 12.063 | | 29.8 |
| 2120A30 | 483.20 | 15.17 | 14.430 | 1-1/2 | 42.5 |

2122 (1-3/4" Roller)

| RYLE P/N | LIST PRICE | O.D. TEETH | P.D. TEETH | STOCK BORE | LBS. |
|----------|------------|------------|------------|------------|------|
| 2122A10 | 339.90 | 11.03 | 9.708 | 1-1/2 | 15 |
| 2122A11 | 374.40 | 12.02 | 10.648 | | 18 |
| 2122A12 | 411.80 | 13.00 | 11.591 | | 21 |
| 2122A13 | 452.10 | 13.97 | 12.536 | | 24 |
| 2122A14 | 492.30 | 14.95 | 13.482 | | 29 |
| 2122A15 | 536.70 | 15.92 | 14.429 | | 33 |
| 2122A16 | 588.00 | 16.88 | 15.377 | 1-1/2 | 37 |
| 2122A17 | 639.30 | 17.85 | 16.328 | 2 | 42 |
| 2122A18 | 701.80 | 18.81 | 17.276 | | 47 |
| 2122A19 | 764.20 | 19.78 | 18.227 | | 5 |
| 2122A20 | 826.40 | 20.74 | 19.177 | | 58 |
| 2122A25 | 1142.20 | 25.55 | 23.936 | 2 | 91 |

Split Type A plate \$ 4.08
per inch of sprocket diameter

Rebore \$49.00
Keyway \$13.40
Setscrew (each) \$13.40
Harden per tooth \$ 3.06 (2120)
Harden per tooth \$ 6.40 (2122)
Drill Type A plate (4) holes = \$28.00
(6) holes = \$42.00
(8) holes = \$56.00



Single Duty sprockets available on Made To Order basis only
see Ryle Catalog page 94

FLAME CUT SPROCKETS FOR CHAINS:

62 - 062 - 2 - 62A - HF62A - 62H - H62 - 072 - 72-1/2 - 162 - R362 - RR362 - R432
RR432 - 962 - LXS627 - IS620 - 162R - US622 - 378R - 402RX - US620 - 362 - R2362



62

1.654" CHAIN PITCH 13/16" ROLLER OR BARREL DIAMETER 11/16" FACE THICKNESS

| NO. TEETH | RYLE P/N | LIST PRICE | PITCH DIA | STOCK BORE | MAX BORE | HUB DIA. | LTB | LBS. | RYLE P/N | LIST PRICE | LBS |
|-----------|----------|------------|-----------|------------|----------|----------|-------|------|----------|------------|-----|
| 10 | 62C10 | 130.30 | 5.35 | 1 | 2-1/4 | 3-1/4 | 2-1/2 | 13 | 62A10 | 59.80 | 5 |
| 12 | 62C12 | 154.00 | 6.39 | 1 | 2-3/4 | 4-1/4 | 3 | 16 | 62A12 | 69.40 | 7 |
| 13 | 62C13 | 178.20 | 6.91 | 1 | 3-1/4 | 4-3/4 | | 19 | 62A13 | 79.00 | 8 |
| 14 | 62C14 | 188.60 | 7.43 | 1 | | | | 21 | 62A14 | 89.60 | 9 |
| 15 | 62C15 | 199.20 | 7.96 | 1 | | | | 22 | 62A15 | 100.40 | 11 |
| 17 | 62C17 | 223.80 | 9.00 | 1 | | | | 24 | 62A17 | 124.80 | 14 |
| 19 | 62C19 | 250.40 | 10.05 | 1 | | | | 28 | 62A19 | 151.40 | 17 |
| 20 | 62C20 | 278.60 | 10.57 | 1 | | | | 30 | 62A20 | 165.80 | 19 |
| 24 | 62C24 | 429.20 | 12.67 | 1-1/4 | 3-3/4 | 5-1/2 | 4-3/8 | 49 | 62A24 | 230.00 | 26 |
| 26 | 62C26 | 465.20 | 13.72 | | | | | 53 | 62A26 | 266.00 | 30 |
| 30 | 62C30 | 545.20 | 15.72 | | | | | 65 | 62A30 | 345.80 | 42 |
| 36 | 62C36 | 684.80 | 18.98 | | | | | 82 | 62A36 | 485.60 | 59 |
| 54 | 62C54 | 1245.20 | 28.45 | | | | | 125 | 62A54 | 1046.00 | 135 |
| 60 | 62C60 | 1480.20 | 31.60 | | | | | 138 | 62A60 | 1281.00 | 169 |

Driver style tooth form. Maximum Bore allows for standard keyway and setscrew(s).

| | |
|-------------------------------------|--------------------|
| Split Type A plate | \$ 4.80 (62) |
| | \$ 5.60 (78) |
| per inch of sprocket pitch diameter | |
| Rebore | \$70.00 |
| Keyway | \$20.00 |
| Setscrew (each) | \$20.00 |
| Harden per tooth | \$ 4.36 (62 chain) |
| Harden per tooth | \$ 5.60 (78 chain) |

| | | |
|--------------------|-----------|---------|
| Drill Type A plate | (4) holes | \$40.00 |
| | (6) holes | \$60.00 |
| | (8) holes | \$80.00 |

FLAME CUT SPROCKETS FOR CHAINS:

78 - 87R - 88 - 188 - 433-1/2 - 488 - 588R - 988 - IS880 - IS881 - LXS882
74 - H74 - 75 - H75 - H78RT - H78SR - H79 - S188 - S78 - R588 - R778 - 988
IS880 - 87R - IS881 - 81X - IS882 - LXS881 - LXS886 - US881 - LXS887 - C188
XS578 - SS188 - US278R - US278 - US882 - 578R - 588R



78

2.609" PITCH 7/8" ROLLER OR BARREL DIAMETER 7/8" PLATE THICKNESS

| NO. TEETH | RYLE P/N | LIST PRICE | PITCH DIA. | STOCK BORE | MAX BORE | HUB DIA. | LTB | LBS. | RYLE P/N | LIST PRICE | LBS. |
|-----------|----------|------------|------------|------------|----------|----------|-------|------|----------|------------|------|
| 8 | 78C8 | 188.40 | 6.82 | 1 | 2-3/4 | 4-1/4 | 3 | 21 | 78A8 | 93.00 | 9 |
| 9 | 78C9 | 265.80 | 7.63 | 1-1/4 | 3-7/16 | 5-1/4 | 3-7/8 | 29 | 78C9 | 112.40 | 11 |
| 10 | 78C10 | 286.80 | 8.44 | | | | | 31 | 78A10 | 133.40 | 14 |
| 11 | 78C11 | 310.00 | 9.26 | | | | | 34 | 78A11 | 156.60 | 17 |
| 12 | 78C12 | 335.20 | 10.08 | | | | | 37 | 78A12 | 181.80 | 20 |
| 13 | 78C13 | 408.40 | 10.90 | | 3-3/4 | 5-1/2 | 4-1/2 | 46 | 78A13 | 209.20 | 23 |
| 14 | 78C14 | 437.20 | 11.72 | | | | | 49 | 78A14 | 238.00 | 27 |
| 15 | 78C15 | 468.20 | 12.55 | 1-1/2 | | | | 53 | 78A15 | 269.00 | 30 |
| 16 | 78C16 | 501.80 | 13.37 | | | | | 57 | 78A16 | 316.40 | 34 |
| 17 | 78C17 | 535.40 | 14.20 | | | | | 62 | 78A17 | 336.20 | 39 |
| 19 | 78C19 | 751.00 | 15.85 | | 4-1/2 | 6-1/2 | 5-3/8 | 90 | 78A19 | 410.40 | 50 |
| 21 | 78C21 | 834.80 | 17.51 | | | | | 101 | 78A21 | 494.20 | 61 |
| 24 | 78C24 | 972.20 | 19.99 | | | | | 119 | 78A24 | 631.60 | 79 |
| 25 | 78C25 | 1023.00 | 20.82 | | | | | 124 | 78A25 | 682.40 | 84 |
| 28 | 78C28 | 1184.60 | 23.31 | | | | | 132 | 78A28 | 844.00 | 105 |
| 30 | 78C30 | 1301.00 | 24.96 | | | | | 150 | 78A30 | 960.20 | 123 |
| 35 | 78C35 | 1627.60 | 29.11 | | | | | 170 | 78A35 | 1287.00 | 166 |
| 40 | 78C40 | 2207.40 | 33.25 | | 4-15/16 | 7-1/4 | 6-3/4 | 226 | 78A40 | 1661.60 | 216 |
| 42 | 78C42 | 2370.80 | 34.91 | | | | | 240 | 78A42 | 1824.80 | 240 |
| 46 | 78C46 | 2717.40 | 38.31 | | | | | 325 | 78A46 | 2171.60 | 286 |
| 54 | 78C54 | 2821.00 | 44.87 | | | | | 368 | 78A54 | 2275.20 | 302 |
| 60 | 78C60 | 4181.80 | 49.85 | | | | | 388 | 78A60 | 3635.80 | 322 |

Conveyor style tooth form. Maximum bore allows for standard keyway and setscrew(s)



1568

FLAME CUT SPROCKETS FOR CHAINS:

LXS3011 - US3011 - IS3011 - MXS3011 - 1803A - 1803AB - XX5568 - SS568 - JS3011 - 3011 - LXS3011M

3.067" CHAIN PITCH

1-5/8" ROLLER OR BARREL DIAMETER

1-3/8" PLATE THICKNESS

| NO. TEETH | RYLE P/N | LIST PRICE | PITCH DIA. | STOCK BORE | MAX BORE | HUB DIA. | LTB | LBS. | RYLE P/N | LIST PRICE | LBS. |
|-----------|----------|------------|------------|------------|----------|----------|-------|------|----------|------------|------|
| 10 | 1568C10 | 456.60 | 9.92 | 1-1/2 | 3-3/4 | 5-1/2 | 4-1/4 | 46 | 1568A10 | 287.20 | 28 |
| 12 | 1568C12 | 554.80 | 11.85 | | | | | 58 | 1568A12 | 385.60 | 40 |
| 14 | 1568C14 | 641.40 | 13.78 | | | | | 73 | 1568A14 | 472.20 | 53 |
| 30 | 1568C30 | 2287.20 | 29.34 | | 4-1/2 | 6-1/2 | 5-3/4 | 240 | 1568A30 | 1946.40 | 217 |
| 36 | 1568C36 | 3225.40 | 35.19 | | 5-3/8 | 7-1/2 | 5-7/8 | 290 | 1568A36 | 2755.20 | 257 |
| 42 | 1568C42 | 4245.60 | 41.04 | | 5-1/2 | 8 | 6-1/8 | 407 | 1568A42 | 3681.80 | 340 |
| 48 | 1568C48 | 5305.40 | 46.89 | | | | | 448 | 1568A48 | 4741.60 | 381 |

Driver Style tooth form. Maximum bore allows for standard keyway and setscrew(s).

Split Type A plate \$ 8.00 (1568 & 1030)
per inch of sprocket pitch diameter

Rebore \$70.00
Keyway \$20.00
Setscrew (each) \$20.00
Harden per tooth \$ 7.20 (1568 & 1030)

Drill Type A plate (4) holes \$40.00
(6) holes \$60.00
(8) holes \$80.00



1030

FLAME CUT SPROCKETS FOR CHAINS:

1030 - 1037 - 1190R - 1539 - API-3 - CHAMPION NO.3 - IS-1031 - LXS-1032 - R-1033
R-1035 - SS-40 - IS1037 - US1031 - 1190 - 1190R - US1032 - SXX - 4103 - 103

3.075" CHAIN PITCH

1-1/4" ROLLER DIAMETER

1-1/8" PLATE THICKNESS

| NO. TEETH | RYLE P/N | LIST PRICE | PITCH DIA. | STOCK BORE | MAX BORE | HUB DIA. | LTB | LBS. | RYLE P/N | LIST PRICE | LBS. |
|-----------|----------|------------|------------|------------|----------|----------|-------|------|----------|------------|------|
| 8 | 1030C8 | 314.40 | 8.05 | 1-1/4 | 3-1/4 | 5 | 3-7/8 | 31 | 1030A8 | 189.40 | 18 |
| 9 | 1030C9 | 353.40 | 8.99 | | | | | 36 | 1030A9 | 228.20 | 22 |
| 10 | 1030C10 | 396.00 | 9.95 | | | | | 40 | 1030A10 | 271.00 | 28 |
| 11 | 1030C11 | 486.80 | 10.91 | 1-1/2 | 3-3/4 | 5-1/2 | 4-1/4 | 51 | 1030A11 | 317.40 | 33 |
| 12 | 1030C12 | 537.20 | 11.88 | | | | | 57 | 1030A12 | 367.80 | 39 |
| 13 | 1030C13 | 591.40 | 12.85 | | | | | 64 | 1030A13 | 422.00 | 46 |
| 15 | 1030C15 | 794.80 | 14.79 | | 4 | 6 | 5-1/8 | 91 | 1030A15 | 541.80 | 60 |
| 17 | 1030C17 | 929.40 | 16.73 | | | | | 109 | 1030A17 | 676.40 | 78 |
| 19 | 1030C19 | 1165.60 | 18.68 | | 4-1/2 | 6-1/2 | 5-3/4 | 137 | 1030A19 | 824.80 | 97 |
| 21 | 1030C21 | 1332.80 | 20.63 | | | | | 158 | 1030A21 | 992.20 | 118 |
| 24 | 1030C24 | 1607.80 | 23.56 | | | | | 176 | 1030A24 | 1267.00 | 154 |
| 25 | 1030C25 | 1836.80 | 24.53 | | 5-3/8 | 7-1/2 | 5-7/8 | 206 | 1030A25 | 1366.60 | 167 |
| 28 | 1030C28 | 2159.60 | 27.46 | | | | | 236 | 1030A28 | 1689.40 | 210 |
| 30 | 1030C30 | 2392.80 | 29.42 | | | | | 254 | 1030A30 | 1922.60 | 240 |
| 35 | 1030C35 | 3133.80 | 34.30 | | 5-1/2 | 8 | 6-1/8 | 327 | 1030A35 | 2570.00 | 313 |
| 40 | 1030C40 | 3881.00 | 39.19 | | | | | 427 | 1030A40 | 3317.20 | 360 |
| 42 | 1030C42 | 4209.60 | 41.15 | | | | | 450 | 1030A42 | 3645.80 | 380 |
| 48 | 1030C48 | 5680.00 | 47.03 | | 6-1/2 | 9-1/2 | 6-3/4 | 501 | 1030A48 | 4707.60 | 400 |
| 54 | 1030C54 | 6871.20 | 52.89 | | | | | 549 | 1030A54 | 5899.00 | 432 |
| 60 | 1030C60 | 8562.80 | 58.75 | | 7 | 10 | 7-1/2 | 642 | 1030A60 | 7247.80 | 506 |

Driver Style tooth form. Maximum bore allows for standard keyway and setscrew(s).



82

FLAME CUT SPROCKETS FOR CHAINS:

103 - 131 - 382 - 527R - 4103 - 6131 - C-9103 - H82

3.075" CHAIN PITCH

1-7/32" ROLLER OR BARREL DIAMETER

1-1/8" PLATE THICKNESS

| NO. TEETH | RYLE P/N | LIST PRICE | PITCH DIA | STOCK BORE | MAX BORE | HUB DIA. | LTB | LBS. | RYLE P/N | LIST PRICE | LBS. |
|-----------|----------|------------|-----------|------------|----------|----------|-------|------|----------|------------|------|
| 7 | 82C7 | 264.20 | 7.09 | 1 | 2-15/16 | 4-1/2 | 3-7/8 | 24 | 82A7 | 138.20 | 19 |
| 8 | 82C8 | 332.80 | 8.04 | 1-1/4 | 3-3/4 | 5-1/4 | 4-1/8 | 34 | 82A8 | 169.40 | 16 |
| 9 | 82C9 | 356.60 | 8.99 | | | | | 38 | 82A9 | 203.20 | 20 |
| 10 | 82C10 | 441.80 | 9.95 | | | | | 43 | 82A10 | 242.60 | 25 |
| 11 | 82C11 | 483.40 | 10.91 | | 3-15/16 | 5-3/4 | 4-3/8 | 54 | 82A11 | 284.20 | 30 |
| 12 | 82C12 | 528.60 | 11.88 | | | | | 60 | 82A12 | 329.40 | 36 |
| 13 | 82C13 | 577.80 | 12.85 | | | | | 66 | 82A13 | 378.60 | 42 |
| 14 | 82C14 | 771.00 | 13.82 | | | | | 72 | 82A14 | 430.40 | 48 |
| 15 | 82C15 | 824.80 | 14.79 | 1-1/2 | 4-1/2 | 6-1/2 | 5-5/8 | 94 | 82A15 | 484.20 | 54 |
| 16 | 82C16 | 888.60 | 15.76 | | | | | 102 | 82A16 | 548.00 | 62 |
| 17 | 82C17 | 946.40 | 16.73 | | | | | 110 | 82A17 | 605.60 | 70 |
| 18 | 82C18 | 1012.00 | 17.71 | | | | | 119 | 82A18 | 671.40 | 79 |

Conveyor style tooth form. Maximum Bore allows for standard keyway and setscrew(s).

| |
|---|
| Split Type A plate\$ 8.00 (82 & 238) per inch of sprocket pitch diameter |
| Rebore \$70.00 |
| Keyway \$20.00 |
| Setscrew (each) \$20.00 |
| Harden per tooth \$ 7.20 (82 & 238 chain) |

| | | |
|--------------------|-----------|---------|
| Drill Type A plate | (4) holes | \$40.00 |
| | (6) holes | \$60.00 |
| | (8) holes | \$80.00 |



238

FLAME CUT SPROCKETS FOR CHAINS:

1616A - IS3514 - RX238 - 1616A - MXS3514 - US3514 - LXS3514

3.500" CHAIN PITCH

1-3/4" ROLLER OR BARREL DIAMETER

1-3/8" PLATE THICKNESS

| NO. TEETH | RYLE P/N | LIST PRICE | PITCH DIA. | STOCK BORE | MAX BORE | HUB DIA. | LTB | LBS. | RYLE P/N | LIST PRICE | LBS. |
|-----------|----------|------------|------------|------------|----------|----------|-------|------|----------|------------|------|
| 10 | 238C10 | 534.40 | 11.33 | 1-1/2 | 3-3/4 | 5-1/2 | 4-1/4 | 54 | 238A10 | 365.00 | 35 |
| 12 | 238C12 | 661.80 | 13.52 | | | | | 70 | 238A12 | 492.40 | 51 |
| 14 | 238C14 | 808.80 | 15.73 | | | | | 88 | 238A14 | 639.60 | 60 |
| 30 | 238C30 | 2781.20 | 33.48 | | 4 | 6 | 5-1/8 | 312 | 238A30 | 2528.20 | 253 |
| 36 | 238C36 | 3813.20 | 40.16 | | | | | 445 | 238A36 | 3560.20 | 370 |
| 42 | 238C42 | 5140.00 | 46.84 | | 5-1/2 | 8 | 6-1/8 | 456 | 238A42 | 4761.40 | 379 |
| 48 | 238C48 | 6508.60 | 53.52 | | | | | 517 | 238A48 | 6130.20 | 450 |

Driver Style tooth form. Maximum Bore allows for standard keyway and setscrew(s).



124

FLAME CUT SPROCKETS FOR CHAINS:

W124 - WH124 - WS124 - H124

4.000" CHAIN PITCH

1-1/2" ROLLER OR BARREL DIAMETER

1-3/8" PLATE THICKNESS

| NO. TEETH | RYLE P/N | LIST PRICE | PITCH DIA. | STOCK BORE | MAX BORE | HUB DIA. | LTB | LBS. | RYLE P/N | LIST PRICE | LBS |
|-----------|----------|------------|------------|------------|----------|----------|-------|------|----------|------------|-----|
| 6 | 124C6 | 332.00 | 8.00 | 1 | 3-1/4 | 4-3/4 | 4-5/8 | 36 | 124A6 | 234.40 | 21 |
| 7 | 124C7 | 495.00 | 9.22 | 1 | 3-15/16 | 5-3/4 | 4-3/4 | 52 | 124A7 | 235.80 | 28 |
| 8 | 124C8 | 563.80 | 10.15 | 1 | | | | 61 | 124A8 | 364.60 | 37 |
| 9 | 124C9 | 640.60 | 11.70 | 1 | | | | 70 | 124A9 | 441.40 | 46 |
| 10 | 124C10 | 725.20 | 12.94 | 1 | | | | 79 | 124A10 | 526.00 | 55 |
| 11 | 124C11 | 852.80 | 14.20 | 1-1/2 | 4-1/4 | 6-1/4 | 4-3/4 | 95 | 124A11 | 617.60 | 68 |
| 12 | 124C12 | 952.40 | 15.45 | | | | | 107 | 124A12 | 717.20 | 80 |
| 13 | 124C13 | 1061.80 | 16.72 | | | | | 120 | 124A13 | 826.80 | 93 |
| 14 | 124C14 | 1177.40 | 17.98 | | | | | 135 | 124A14 | 942.40 | 108 |
| 15 | 124C15 | 1436.40 | 19.24 | | 4-3/8 | 6-3/4 | 6 | 168 | 124A15 | 1065.80 | 124 |
| 16 | 124C16 | 1565.80 | 20.50 | | | | | 185 | 124A16 | 1195.40 | 141 |

Conveyor style tooth form. Maximum Bore allows for standard keyway and setscrew(s).

Split Type A plate \$12.00 (124 & 1240)
per inch of sprocket pitch diameter

Rebore \$70.00
Keyway \$20.00
Setscrew (each) \$20.00
Harden per tooth \$ 8.00 (124 & 1240)

Drill Type A plate (4) holes \$40.00
(6) holes \$60.00
(8) holes \$80.00



1240

FLAME CUT SPROCKETS FOR CHAINS:

1240RX - 1244 - IS1425 - R1248 - RX1245 - SS124 - API-4 - 3 BARHYPER

4.063" CHAIN PITCH

1-3/4" ROLLER OR BARREL DIAMETER

1-3/4" PLATE THICKNESS

| NO. TEETH | RYLE P/N | LIST PRICE | PITCH DIA. | STOCK BORE | MAX BORE | HUB DIA. | LTB | LBS. | RYLE P/N | LIST PRICE | LBS. |
|-----------|----------|------------|------------|------------|----------|----------|-------|------|----------|------------|------|
| 6 | 1240C6 | 381.80 | 8.13 | 1 | 2-1/2 | 4 | 4 | 34 | 1240A6 | 298.80 | 26 |
| 7 | 1240C7 | 527.20 | 9.36 | 1-1/4 | 3-3/4 | 5-1/4 | 4-3/4 | 51 | 1240A7 | 373.80 | 34 |
| 8 | 1240C8 | 739.20 | 10.62 | 1-1/2 | 4-1/2 | 6-1/2 | 5 | 78 | 1240A8 | 458.20 | 44 |
| 9 | 1240C9 | 832.80 | 11.88 | | | | | 89 | 1240A9 | 553.20 | 55 |
| 10 | 1240C10 | 938.40 | 13.15 | | | | | 101 | 1240A10 | 657.40 | 67 |
| 11 | 1240C11 | 1052.00 | 14.42 | | | | | 115 | 1240A11 | 771.00 | 81 |
| 12 | 1240C12 | 1213.20 | 15.70 | | 5-1/4 | 7 | 6 | 140 | 1240A12 | 834.80 | 96 |
| 13 | 1240C13 | 1402.60 | 16.98 | | | | | 155 | 1240A13 | 1024.00 | 111 |
| 14 | 1240C14 | 1544.00 | 18.26 | | | | | 174 | 1240A14 | 1165.60 | 130 |
| 15 | 1240C15 | 1693.40 | 19.54 | | | | | 192 | 1240A15 | 1314.80 | 148 |
| 16 | 1240C16 | 2000.20 | 20.83 | | 5-1/2 | 8 | 6-1/4 | 230 | 1240A16 | 1476.20 | 168 |
| 18 | 1240C18 | 2346.80 | 23.40 | | | | | 275 | 1240A18 | 1823.00 | 213 |
| 20 | 1240C20 | 2731.40 | 25.97 | | | | | 300 | 1240A20 | 2207.40 | 263 |
| 21 | 1240C21 | 2936.60 | 27.26 | | | | | 319 | 1240A21 | 2412.60 | 289 |
| 24 | 1240C24 | 3612.00 | 31.12 | | | | | 387 | 1240A24 | 3088.00 | 370 |
| 25 | 1240C25 | 4060.20 | 33.42 | | 6 | 9 | | 426 | 1240A25 | 3331.00 | 409 |
| 28 | 1240C28 | 4833.20 | 36.29 | | | | | 494 | 1240A28 | 4104.00 | 480 |
| 30 | 1240C30 | 5759.60 | 38.87 | | 7 | 10 | 6-3/4 | 583 | 1240A30 | 4685.80 | 561 |
| 35 | 1240C35 | 7339.40 | 45.33 | | | | | 729 | 1240A35 | 6265.60 | 620 |
| 40 | 1240C40 | 9929.40 | 51.78 | | | | | 932 | 1240A40 | 8078.60 | 721 |
| 48 | 1240C48 | 13322.20 | 62.12 | | | | | 1078 | 1240A48 | 11471.40 | 867 |

Driver Style tooth form. Maximum Bore allows for standard keyway and setscrew(s).



635

FLAME CUT SPROCKETS FOR CHAINS:

450-SXX - 1340RX - 1350 - IS4522 - RO635 - MXS4522 - B635 - X635

4.500" CHAIN PITCH

2-1/4" ROLLER OR BARREL DIAMETER

1-3/4" PLATE THICKNESS

| NO. TEETH | RYLE P/N | LIST PRICE | PITCH DIA. | STOCK BORE | MAX BORE | HUB DIA. | LTB | LBS. | RYLE P/N | LIST PRICE | LBS. |
|-----------|----------|------------|------------|------------|----------|----------|-------|------|----------|------------|------|
| 10 | 635C10 | 1028.00 | 14.56 | 1-1/2 | 4 | 6-1/2 | 5 | 111 | 635A10 | 828.80 | 87 |
| 12 | 635C12 | 1322.80 | 17.39 | | | | | 148 | 635A12 | 1123.60 | 119 |
| 14 | 635C14 | 3592.00 | 20.22 | | | | | 188 | 635A14 | 3392.80 | 159 |
| 30 | 635C30 | 6225.80 | 43.05 | | 5-3/8 | 7-1/2 | 5-7/8 | 592 | 635A30 | 5801.40 | 542 |
| 36 | 635C36 | 8616.60 | 51.63 | | | | | 764 | 635A36 | 8192.00 | 715 |
| 42 | 635C42 | 11961.40 | 60.22 | | 6-1/2 | 9-1/2 | 7-1/4 | 884 | 635A42 | 10989.20 | 776 |
| 48 | 635C48 | 16039.60 | 68.81 | | 6-3/4 | 10 | 7-3/4 | 1174 | 635A48 | 14188.80 | 963 |

Driver Style tooth form. Maximum Bore allows for standard keyway and setscrew(s).

| | |
|-------------------------------------|---------|
| Split Type A plate | \$12.00 |
| per inch of sprocket pitch diameter | |
| Harden per tooth | \$ 8.00 |
| Rebore | \$70.00 |
| Keyway | \$20.00 |
| Setscrew (each) | \$20.00 |

| | | |
|--------------------|-----------|---------|
| Drill Type A plate | (4) holes | \$40.00 |
| | (6) holes | \$60.00 |
| | (8) holes | \$80.00 |



1207

FLAME CUT SPROCKETS FOR CHAINS:

1510XXX - 1602A - 1602AA - A1302 - JS5031 - 5035 - 5031 - LXS6038M - A1302
MXS5028 - RO1205 - RX1207 - US5021 - LXS5028 - LXS6038

5.000" CHAIN PITCH

2-1/2" ROLLER OR BARREL DIAMETER

2-1/4" PLATE THICKNESS

| NO. TEETH | RYLE P/N | LIST PRICE | PITCH DIA. | STOCK BORE | MAX BORE | HUB DIA. | LTB | LBS. | RYLE P/N | LIST PRICE | LBS. |
|-----------|----------|------------|------------|------------|----------|----------|-------|------|----------|------------|------|
| 10 | 1207C10 | 1565.80 | 16.18 | 1-1/2 | 4-1/2 | 6-1/2 | 5-1/2 | 160 | 1207A10 | 1311.00 | 131 |
| 12 | 1207C12 | 2028.20 | 19.32 | | | | | 215 | 1207A12 | 1773.20 | 187 |
| 14 | 1207C14 | 2691.60 | 22.47 | | 5-3/8 | 7-1/2 | 5-7/8 | 298 | 1207A14 | 2313.00 | 254 |
| 30 | 1207C30 | 9925.40 | 47.84 | | 6 | 9 | 6-3/4 | 809 | 1207A30 | 9196.20 | 730 |
| 36 | 1207C36 | 14288.40 | 57.37 | | 6-3/4 | 10 | 8-1/2 | 1161 | 1207A36 | 12973.40 | 1025 |
| 42 | 1207C42 | 18723.20 | 66.91 | | | | | 1245 | 1207A42 | 17408.20 | 1109 |

Driver Style tooth form. Maximum Bore allows for standard keyway and setscrew(s).

| | |
|-------------------------------------|---------|
| Split Type A plate | \$16.00 |
| per inch of sprocket pitch diameter | |
| Harden per tooth | \$10.00 |
| Rebore | \$70.00 |
| Keyway | \$20.00 |
| Setscrew (each) | \$20.00 |

| | | |
|--------------------|-----------|---------|
| Drill Type A plate | (4) holes | \$40.00 |
| | (6) holes | \$60.00 |
| | (8) holes | \$80.00 |



132

FLAME CUT SPROCKETS FOR CHAINS:

132 - 6150P - SA150 - W157 - A132 - C132 - WS132 SX150 - SXA150 - 150X - 6150 - WH157 - WR157

6.050" CHAIN PITCH

1-23/32" ROLLER OR BARREL DIAMETER

2-3/4" PLATE THICKNESS

| NO. TEETH | RYLE P/N | LIST PRICE | PITCH DIA. | STOCK BORE | MAX BORE | HUB DIA. | LTB | LBS. | RYLE P/N | LIST PRICE | LBS. |
|-----------|----------|------------|------------|------------|----------|----------|-------|------|----------|------------|------|
| 6 | 132C6 | 1151.60 | 12.10 | 1-1/2 | 4-1/2 | 6-1/2 | 6 | 119 | 132A6 | 896.60 | 90 |
| 7 | 132C7 | 1396.60 | 13.95 | | | | | 149 | 132A7 | 1141.60 | 120 |
| 8 | 132C8 | 1675.60 | 15.81 | | | | | 182 | 132A8 | 1420.40 | 153 |
| 9 | 132C9 | 2109.80 | 17.69 | | 5-3/8 | 7-1/2 | 6-3/8 | 236 | 132A9 | 1731.20 | 192 |
| 10 | 132C10 | 2440.60 | 19.58 | | | | | 278 | 132A10 | 2062.00 | 235 |
| 11 | 132C11 | 2829.00 | 21.47 | | | | | 326 | 132A11 | 2450.40 | 283 |
| 12 | 132C12 | 3237.40 | 23.38 | | | | | 378 | 132A12 | 2859.00 | 334 |

Conveyor Style tooth form. Maximum Bore allows for standard keyway and setscrew(s).

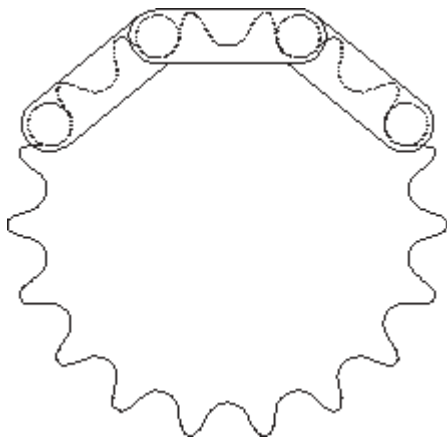
| | |
|-------------------------------------|---------|
| Split Type A plate | \$20.00 |
| per inch of sprocket pitch diameter | |
| Harden per tooth | \$12.00 |
| Rebore | \$70.00 |
| Keyway | \$20.00 |
| Setscrew (each) | \$20.00 |

| | | |
|--------------------|-----------|---------|
| Drill Type A plate | (4) holes | \$40.00 |
| | (6) holes | \$60.00 |
| | (8) holes | \$80.00 |

RYLE Manufacturing Company 1-800-433-0960

Tooth Profiles for Extended Pitch & Flame Cut

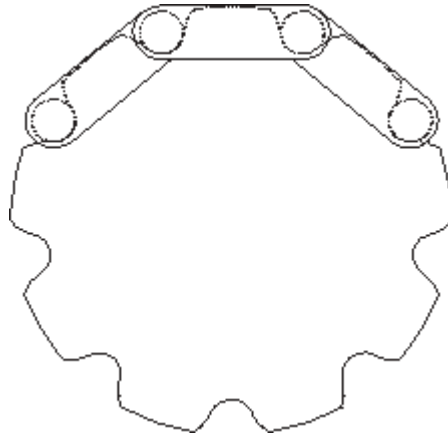
Standard Rollers
Double Duty



Catalog Item for Chains:

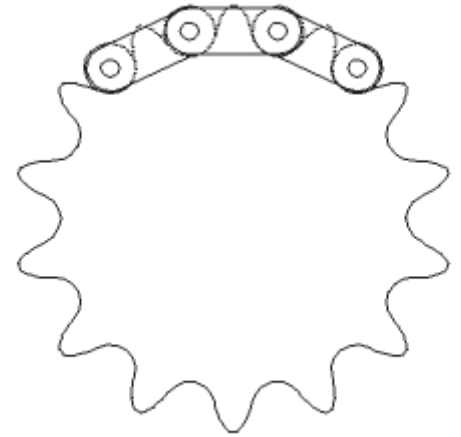
2040, 2050, 2060,
2080, 2100, 2120

Standard Rollers
Single Duty



Made
To
Order

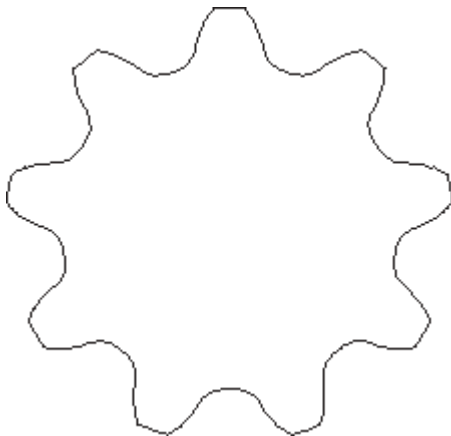
Oversize Rollers
Single Duty



Catalog Item for Chains:

2042, 2052, 2062,
2082, 2102, 2122

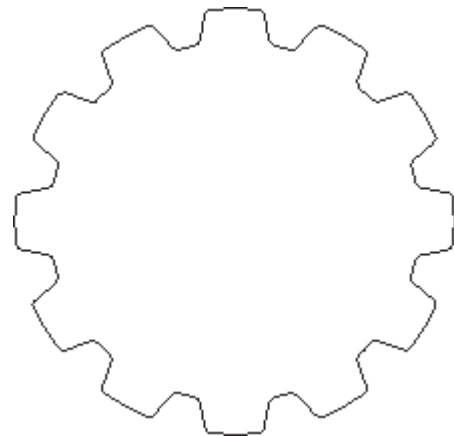
Driver Style



Flame Cut Sprockets
for Chains:

62, 1568, 1030,
238, 1240,
635, 1207

Conveyor Style



Flame Cut Sprockets
for Chains:

78, 82
124, 132